

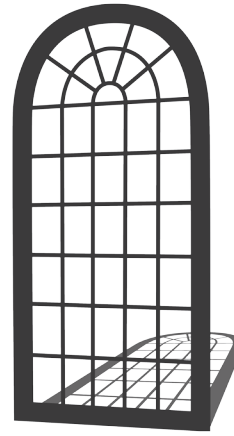
Window and Door Screens
Storm Doors
Patio Screens
Security Screens /Child Guards
Mirror Closet Doors



Screens & Fabricated Metals

A Division of ■ Century Bathworks Inc.

SCREENS & FABRICATED METALS



A Division of Century Bathworks Inc.

HEAVY DUTY PATIO SCREEN DOOR	1-2
MONUMENTAL PATIO SCREEN DOOR.	3-4
EXTRUDED FIXED LITE STORM PANELS	5
ALUMINUM FULL AND HALF SCREENS.	6-7
CASEMENT WINDOW SCREENS	8
PORCH ENCLOSURE MATERIAL	9
EXTRUDED PROJECT-OUT WINDOWS	10-11
EXTRUDED PROJECT-IN WINDOW SCREENS.	12-13
EXTRUDED CASEMENT WICKET SCREENS	14
TWIN VERTICAL SLIDING SCREENS	15
STONE GUARD SECURITY SCREENS	16
PROTECTION SAFETY SCREENS/WINDOW GUARDS.	17-18
CHILD SAFETY SCREENS/ VANDAL SCREENS	19
SECURITY / DETENTION SCREENS	20-23
CHILD GUARDS	24-25
ROLL FORMED ALUMINUM SCREEN SHAPES	26
EXTRUDED ALUMINUM SCREEN SHAPES.	27-30
EXTRUDED ALUMINUM TRACK GUIDES	31
CROSS BRACE SHAPES & PATIO DOOR TRACK GUIDES	32
EXTRUDED ALUMINUM STORM DOORS	33
FRAMELESS BOTTOM ROLLER MIRROR GLIDE DOORS	34
INSIDE SLIDING STORM WINDOWS	35

HD SERIES

HEAVY DUTY EXTRUDED ALUMINUM SLIDING PATIO DOOR SCREEN

SCREENS &
FABRICATED
METALS

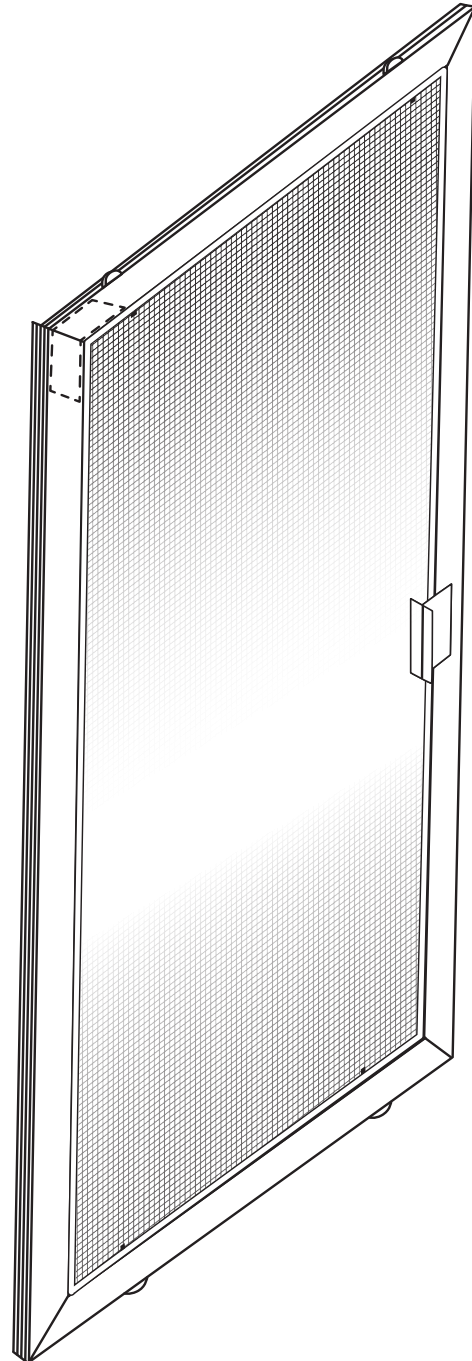


A Division of Century Bathworks Inc.

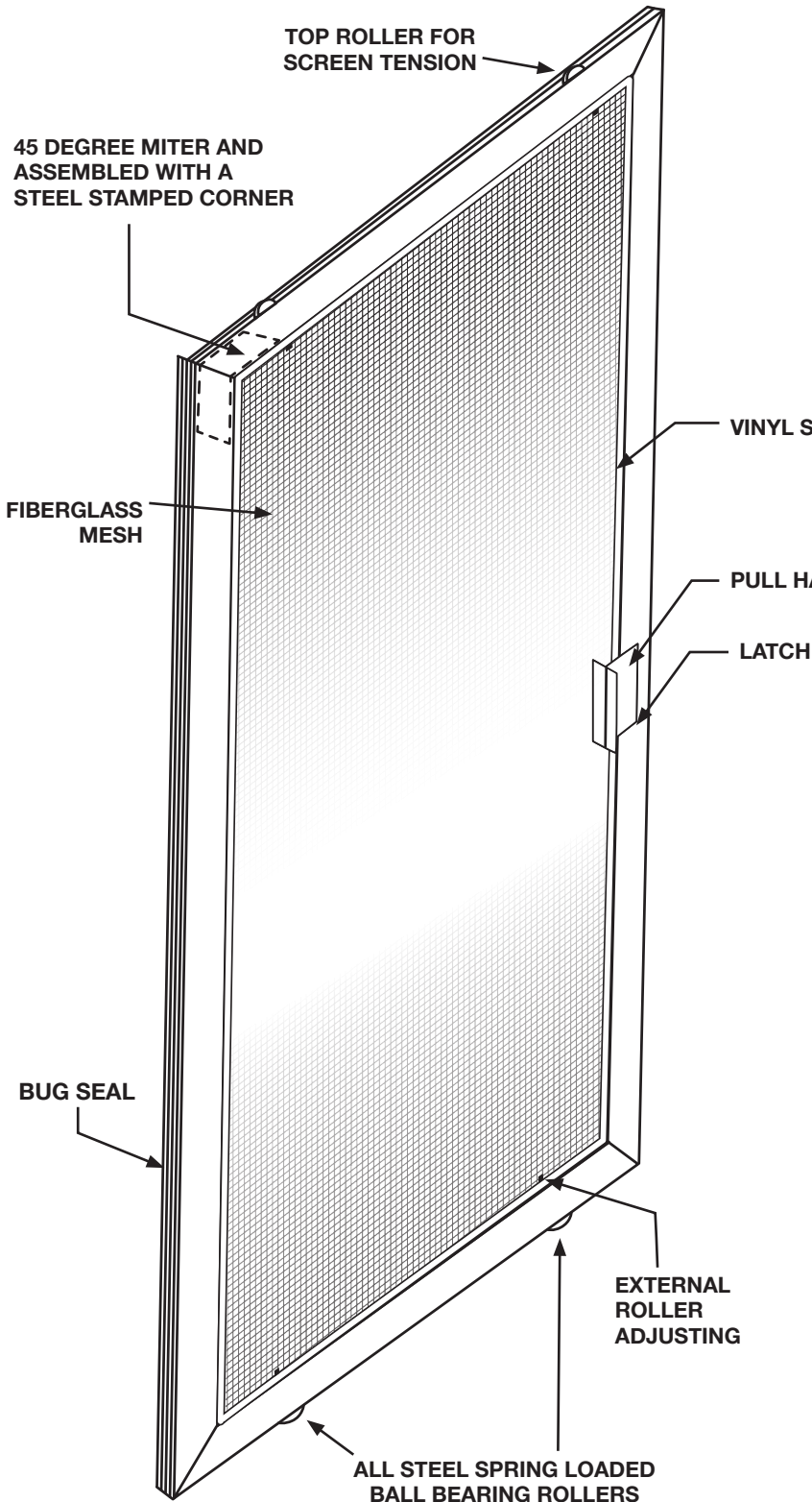
HISTORICALLY, Low Quality roll formed sliding patio door screens are offered as the standard in both the original equipment and home improvement markets. These units rarely perform trouble free over time and often require replacement after just a few years of service. Now the standard has risen to a new high level with our HD series extruded aluminum sliding patio door screens. HD Series screens combine rugged reliability with a pleasantly appealing look to make them a fine value.

FEATURES:

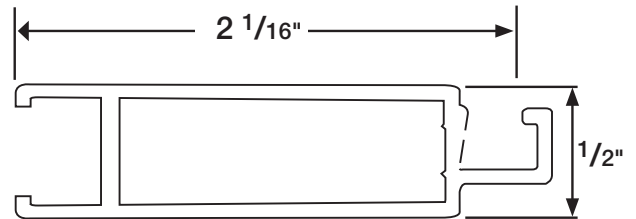
- HEAVY DUTY ALUMINUM EXTRUDED FRAME MEASURING 1" X 2 1/16" X .055"
- STEEL SPRING LOADED BALL BEARING ROLLERS
- MITERED CORNERS REINFORCED WITH STEEL STAMPED CORNER KEYS
- EXTERNAL EASY ACCESS ROLLER ADJUSTMENT
- FIBERGLASS MESH STANDARD WITH ALUMINUM OR STAINLESS STEEL AVAILABLE
- 1 13/16" BUG SEAL
- "MULTI-FIT" EXPANDER VERSIONS AVAILABLE
- FULLY ASSEMBLED OR KD
- WHITE / BRONZE / MILL / CLEAR OR BRONZE ANODIZED FINISHES
- OPTIONAL "PET DOOR SCREEN" AVAILABLE



The HD Series Patio Door screens are fully reversible. Our KD kits are shipped via UPS anywhere! All component parts are included. Rollers, latch and handle assemblies are pre-installed eliminating the need for job site drilling or matching. Standard sides are specials are available fast! Track components are available.



MEASURING: TO DETERMINE WIDTH, MEASURE FROM INSIDE OF JAMB TO CENTER OF STILE ON OPPOSITE SIDE FOR LENGTH, MEASURE FROM THE TOP OF THE BOTTOM TRACK TO THE BOTTOM OF THE HEADER TRACK. THEN, TO THAT FIGURE, ADD 1/2 OF THE TOTAL DEPTH OF THE TOP HEADER TRACK.



EXTRUSION CROSS SECTION
DESIGNED FOR LONG TERM
PERFORMANCE, OUR HEAVY DUTY
6063-T5 EXTRUDED FRAME &
PLATED STEEL BALL BEARING
ROLLERS MAKE HD SERIES DOORS A
SUPERIOR PRODUCT.

MONUMENTAL SERIES

EXTRUDED ALUMINUM
SLIDING PATIO DOOR SCREEN

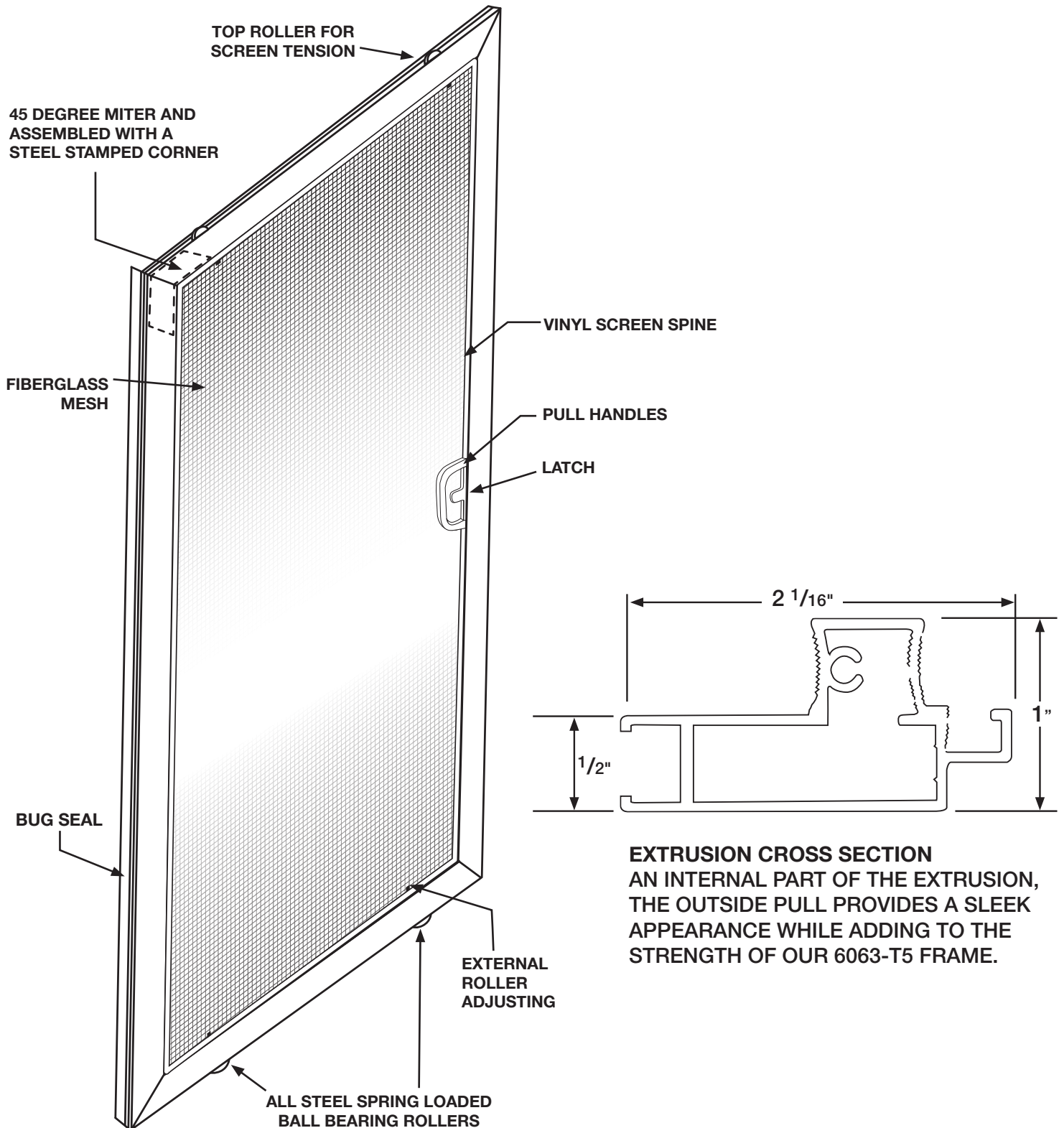
MONUMENTAL SERIES EXTRUDED ALUMINUM SLIDING PATIO DOOR SCREENS ARE SIMPLY THE FINEST AVAILABLE FOR COMMERCIAL AND RESIDENTIAL APPLICATION. MEASURING A FULL 1" X 2 1/16" X .055" WITH THE OUTSIDE PULL AN INTEGRAL PART OF THE EXTRUSION, THE MONUMENTAL IS UNUSUALLY STRONG. WITH ALL STEEL SPRING LOADED BALL BEARING ROLLERS, THEY GLIDE WITH EASE WHEN YOUR PROJECT CALLS FOR THE BEST, CHOOSE THE MONUMENTAL SERIES!

FEATURES:

- HEAVY DUTY ALUMINUM EXTRUDED FRAME MEASURING 1" X 2 1/16" X .055"
- STEEL SPRING LOADED BALL BEARING ROLLERS
- MITERED CORNERS REINFORCED ELECTRO GALVANIZED STEEL STAMPED CORNER KEYS
- FLUSH MORTISE LOCKING SYSTEM
- EXTERNAL EASY ACCESS ROLLER ADJUSTMENT
- FIBERGLASS MESH STANDARD WITH ALUMINUM OR STAINLESS STEEL AVAILABLE
- 1 13/16" BUG SEAL
- FULLY ASSEMBLED OR KD / ANY SIZE
- WHITE / BRONZE / BLACK / MILL FINISH / CLEAR OR BRONZE ANODIZED
- OPTIONAL "PET DOOR SCREEN" AVAILABLE

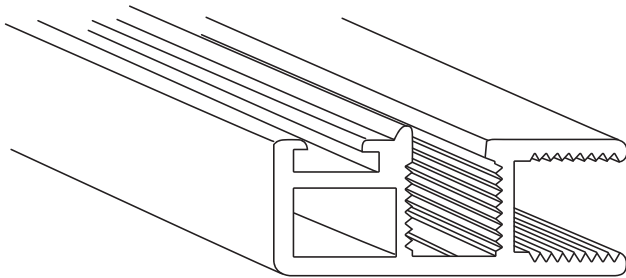


The Monumental Series Patio Door Screen KD s are shipped via UPS anywhere! All component parts, screening and spline included. Rollers, latch and inside handle assemblies are pre-installed eliminating the need for job site drilling or notching. Standard sizes and specials and available fast. Choose KD or fully assembled screens. Track components available.



EXTRUDED ALUMINUM FIXED LITE STORM PANELS

FRAME #903

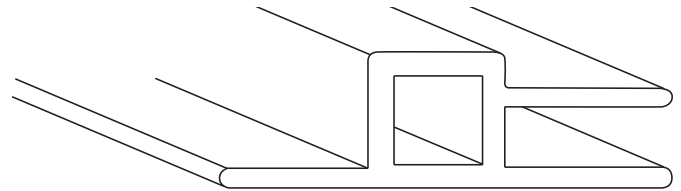


COMBINATION SCREEN & GLASS FRAME

AVAILABLE FINISHES

WHITE PAINT, QUAKER BRONZE PAINT,
AND CLEAR ANODIZED MILL FINISH

FRAME #895



GLASS FRAME

AVAILABLE FINISHES

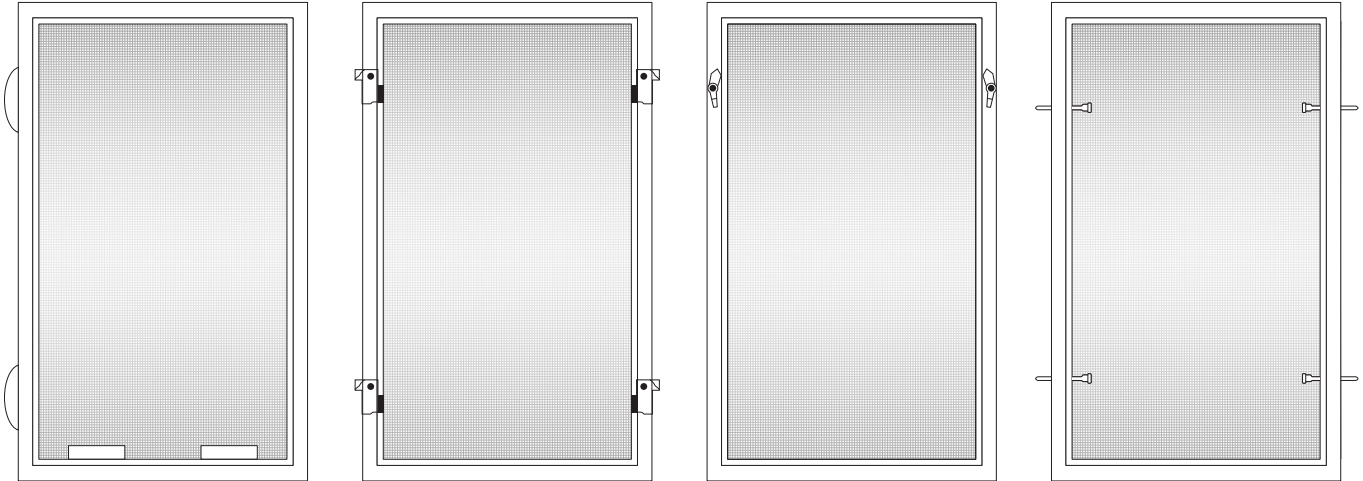
WHITE PAINT, QUAKER BRONZE PAINT,
AND CLEAR ANODIZED MILL FINISH

FRAMES ALSO AVAILABLE AS:

- ASSEMBLED WITH TEMPERED OR NON-TEMPERED GLASS AND PLEXI-GLASS
- KNOCK DOWN - UNGLAZED
- STOCK LENGTHS AVAILABLE

EASY ASSEMBLY Corners are assembled with spring lock corner keys. No tooling required.

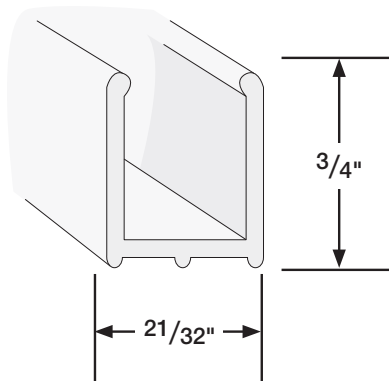
WE MANUFACTURE FULL AND HALF SCREENS FOR DOUBLE HUNG WINDOWS IN A WIDE VARIETY OF ROLL FORMED OR EXTRUDED FRAMES. CHOOSE FROM MANY SHAPES SHOWN ON OUR FRAME SELECTION PAGES. POPULAR HARDWARE INCLUDES TENSION SPRINGS, SPRING PLUNGERS, KNIFE LATCHES, ASHLAND SWIVEL CLIPS AND FINGER LIFTS.



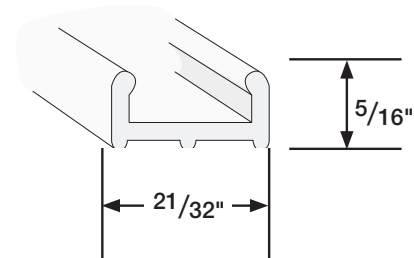
SPECIFY ALUMINUM OR FIBERGLASS MESH

WHERE TRACK IS REQUIRED, SPECIFY OUR #843 AND #844 TRACK FOR 7/16" THICK FRAMES. THESE EXTRUDED ALUMINUM TRACKS ARE RECESSED TO ALLOW FOR NAIL HEADS OR SCREWS FOR FRICTION FREE SLIDING. FOR DROP-IN-TYPE SCREEN TRACKS, #844 IS USED ON EACH HEIGHT (SAME HEIGHT AS SCREEN) AND IS NOTCHED FOR SCREEN REMOVAL. FOR VERTICAL SLIDING HALF SCREENS, TRACK #843 ON ONE SIDE AND TRACK #844 ON THE OPPOSITE SIDE RUN THE FULL HEIGHT OF THE WINDOW.

DEEP TRACK #844



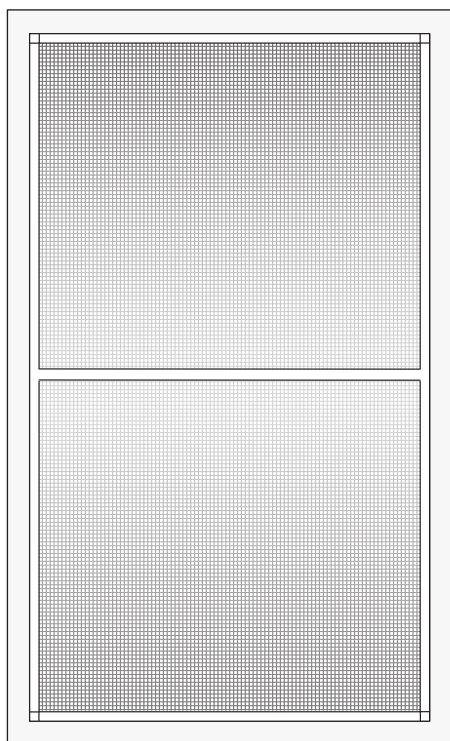
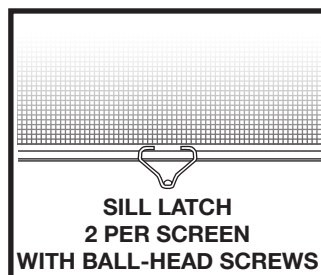
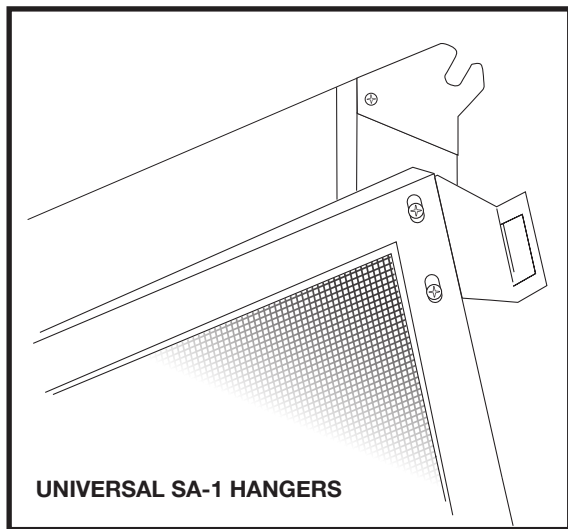
DEEP TRACK #843



ALUMINUM FULL SCREENS FOR DOUBLE HUNG WINDOWS

FEATURES:

- ALUMINUM FRAME $7/16"$ x $3/4"$ x .020 THICK
- CORNER LOCK - STAMPED ALUMINUM
- CROSS BRACE IN CENTER OR AS REQUIRED



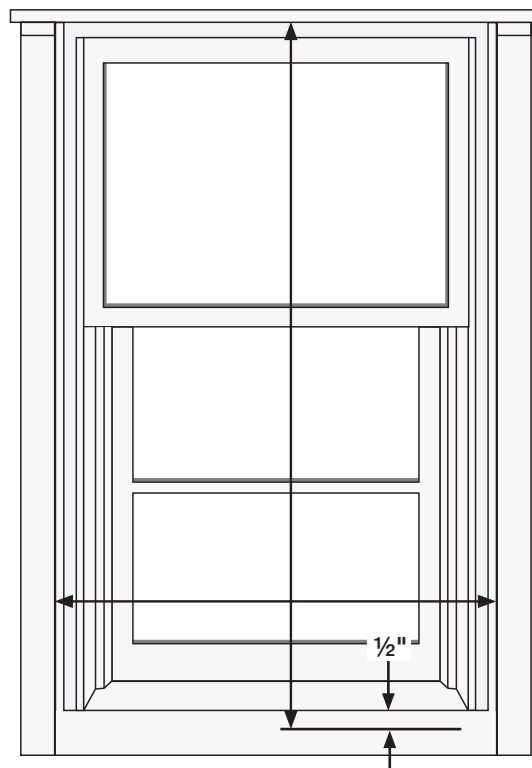
FULL SCREEN

TO MEASURE WIDTH

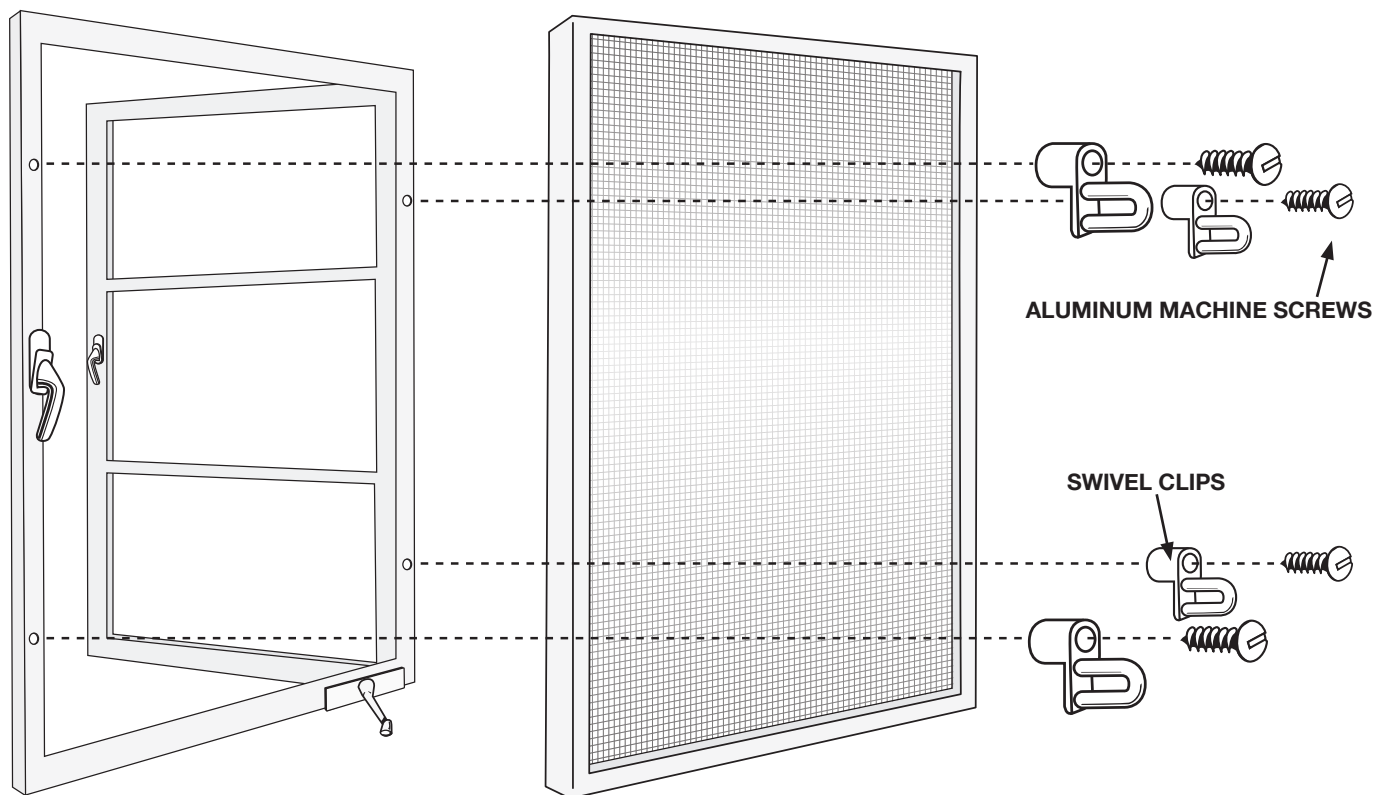
MEASURE FRAME TO
FRAME MINUS $1/4"$
BETWEEN
WINDOW CASINGS

TO MEASURE HEIGHT

MEASURE FROM TOP
TO $1/2"$ BELOW SILL



**OUR STANDARD METAL CASEMENT SCREENS ARE AVAILABLE IN
FRAMES #359 ($7/16"$ X $3/4"$ X 0.020) OR #645 ($5/16"$ X $3/4"$ X 0.20).
MADE TO ORDER, THESE UNITS ARE WIRED WITH A CHOICE OF FIBERGLASS OR
ALUMINUM MESH. THE MOUNTING HARDWARE DEPICTED BELOW COMES STANDARD
AND ALLOWS FOR EASY INSTALLATION AND REMOVAL. OF COURSE, WE WILL
FABRICATE THESE UNITS IN EXTRUDED VERSIONS UPON REQUEST.**



AVAILABLE IN ALL SIZES

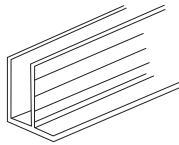
NOTE: EXTRUDED ALUMINUM STORM PANELS ALSO AVAILABLE (FRAME #903)

MESH: Fiberglass or Aluminum
MOUNTING HARDWARE: Swivel Clips & Machine Screws
SPLINE: .250 Diameter Virgin Vinyl
STANDARD FINISHES: Mill/White/Bronze **Available:** Bronze/Clear Anodized

OUR ENCLOSURE CHANNELS & MULLIONS ARE FABRICATED FROM .050" EXTRUDED ALUMINUM TO ENSURE STURDY CONSTRUCTION. WE CAN SUPPLY LINEAL AND COMPONENTS AS SHOWN BELOW, OR FABRICATED ENCLOSURES. KICK PLATE MATERIAL IS AVAILABLE BY THE ROLL OR CUT TO SIZE.

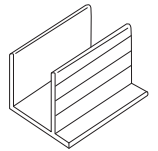
F CHANNEL DEEP

DARK BRONZE WHITE
.050" EXTRUDED ALUMINUM, 2"
FOR USE WITH 1" FRAMES #1000



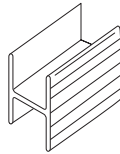
F CHANNEL SHALLOW

DARK BRONZE WHITE
.050" EXTRUDED ALUMINUM, 1"
FOR USE WITH 1" FRAMES #1004



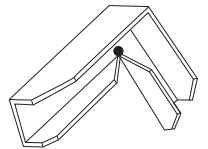
H MULLION

DARK BRONZE WHITE
.050" EXTRUDED ALUMINUM, 2"
FOR USE WITH 1" FRAMES #1001



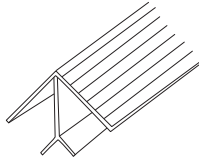
CORNER KEY

#1005



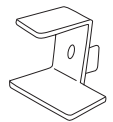
CORNER MULLION

DARK BRONZE WHITE
.050" EXTRUDED ALUMINUM, 2"
FOR USE WITH 1" FRAMES #1002



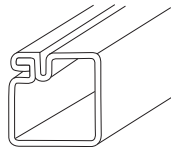
CROSS BRACE CLIP

#1006



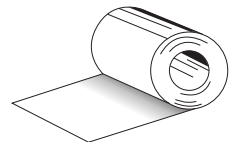
SCREEN FRAME

DARK BRONZE WHITE
.032" ROLL FORM ALUMINUM, 1" X 1"
MESH: 18 X 16 ALUMINUM
SPLINE: .170 DIA. VINYL
CORNER: .050 STAMPED ALUMINUM



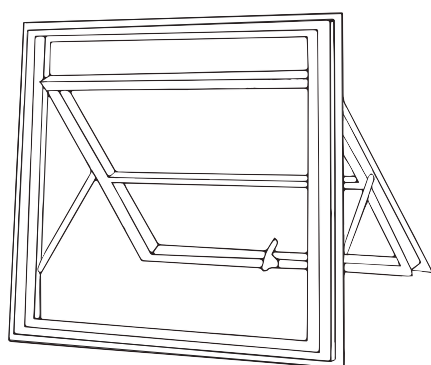
KICK-PLATE

18" X .024 EMBOSSED ALUMINUM
#1004

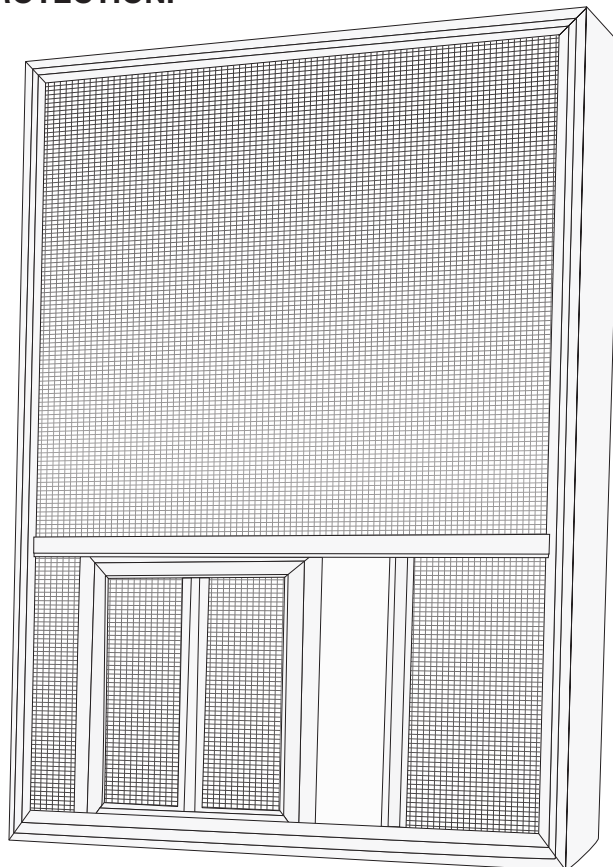
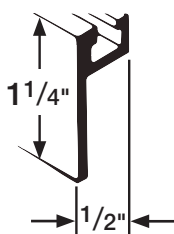


AVAILABLE FINISHES: BRONZE PAINT / WHITE PAINT

OUR VENT SCREENS ARE CRAFTED TO COMPLIMENT THE FINEST PROJECT-OUT WINDOWS. THE SMOOTH SLIDING WICKET DOOR ALLOWS EASY ACCESS TO WINDOW OPERATORS. RUGGED ALUMINUM SCREEN WIRE RESISTS RUST AND CORROSION WHILE PROVIDING EXCELLENT INSECT PROTECTION.



FRAME #676



SPECIFICATIONS:

FRAME: 1 1/4" x 1/2" x .062 6063-T52
EXTRUDED ALUMINUM

TRACK: HORIZONTAL MEMBERS 1 1/4" x 1/2" x .062
6063 -T6 EXTRUDED ALUMINUM VERTICAL MEMBERS (WICKET OPENING) 1/2" x 3/4" x .020
6063 - T5 EXTRUDED ALUMINUM

WICKET DOOR FRAME: 15/16" x 3/8" x .020 ROLL FORMED ALUMINUM LOCKED AT CORNERS WITH INTERIOR ALUMINUM LOCKS

CONSTRUCTION: ONE PIECE FRAME JOINED AT CORNER WITH .051 LOCK SECURELY RIVETED IN PLACE WITH TUBULAR ALUMINUM RIVETS. CROSS BRACE IS DOVETAILED FORMED ON ENDS AND SECURELY LOCKED AND RIVETED INTO MAIN FRAME.

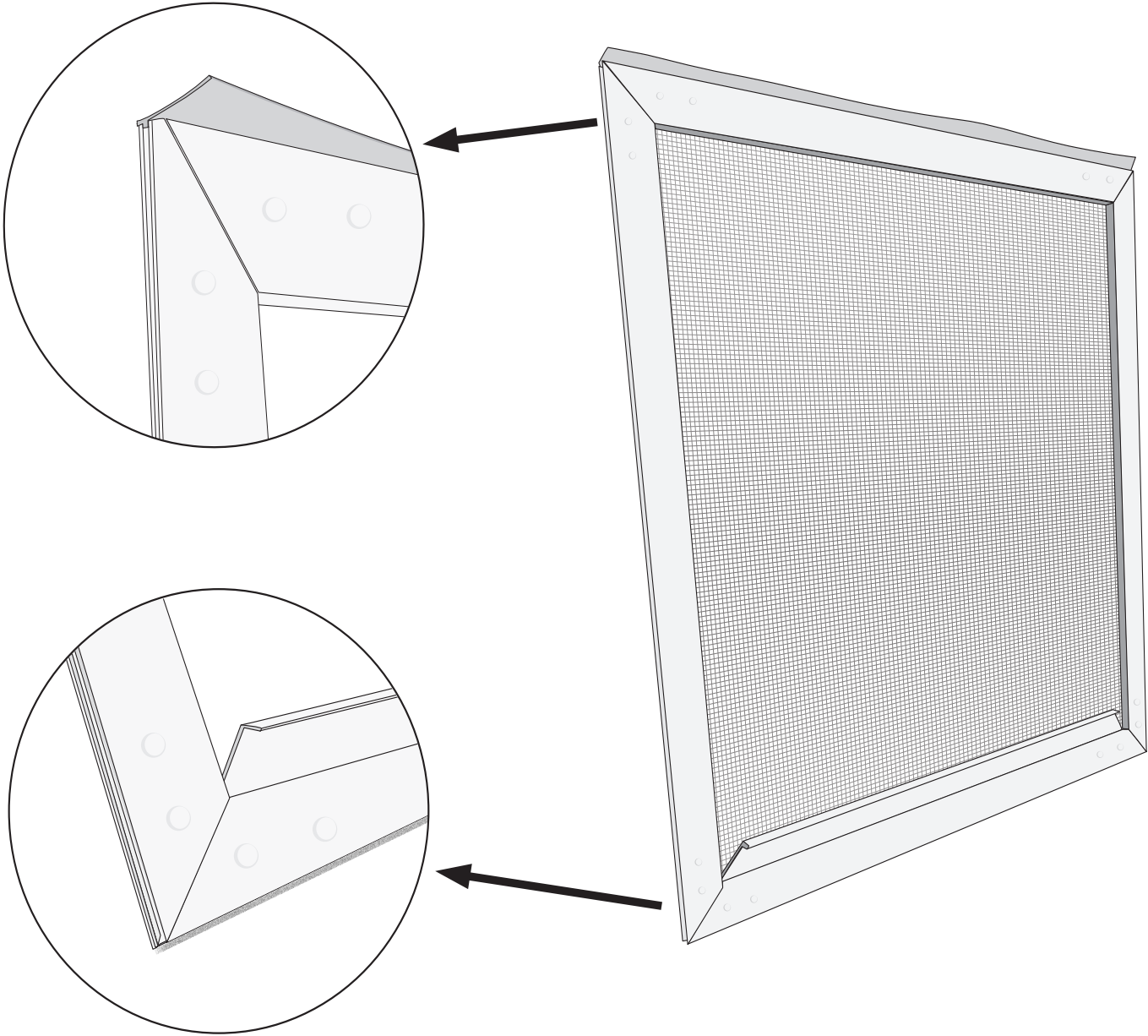
MESH: 18" x 16" x .011 ALUMINUM **SPLINE:** .250 DIAMETER VIRGIN VINYL

STANDARD FINISHES: MILL FINISH, BRONZE, WHITE, BLACK PAINT

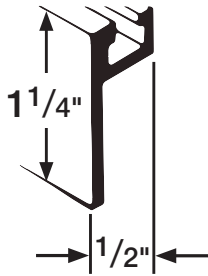
OPTIONAL FINISHES: ANODIZED 201/204/215 R-1/ DUR ANODIC/SPECIAL PAINT COLORS

HARDWARE: "C" Clips & Sheet Metal Screws

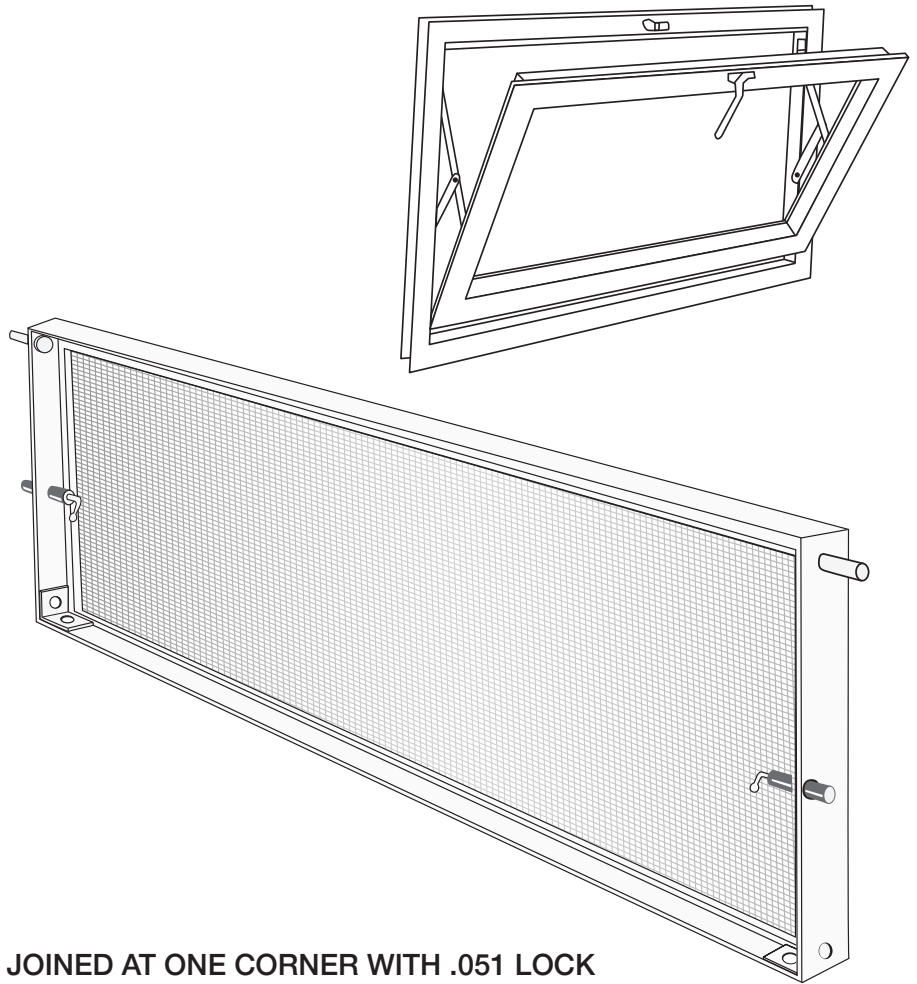
EXTRUDED ALUMINUM COMMERCIAL DOUBLE HUNG WINDOW S



PRECISION CRAFTED HOPPER SCREENS FOR PROJECT-IN WINDOWS ARE MADE TO ORDER IN ANY SIZE. WITH 18 X 16 ALUMINUM MESH STANDARD, THEY PROVIDE MAXIMUM INSECT PROTECTION. FABRICATED WITH OUR #676-1 1/4 FRAME AND RIVETED ALUMINUM CORNER ANGLE, OUR CORNER SCREENS ARE TOUGH AND RELIABLE IN COMMERCIAL/INDUSTRIAL AND INSTITUTIONAL APPLICATIONS.



FRAME #676 - 1 1/4"



SPECIFICATIONS:

FRAME: 1 1/4" x 1/2" x .062 6063-T52
EXTRUDED ALUMINUM

CONSTRUCTION: ONE PIECE FRAME JOINED AT ONE CORNER WITH .051 LOCK
SECURELY RIVETED WITH TUBULAR ALUMINUM RIVETS.

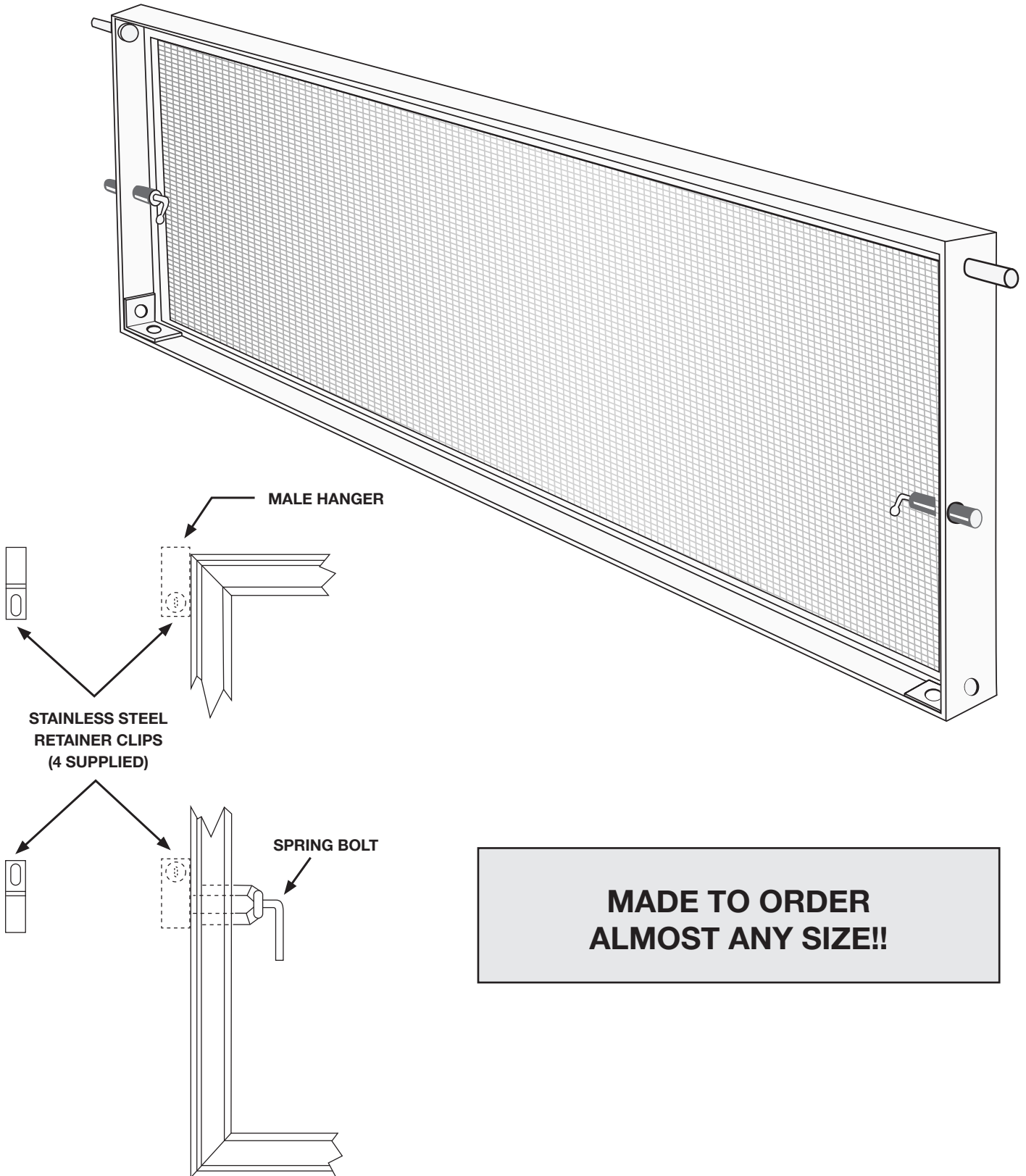
MESH: 18" x 16" x .011 ALUMINUM **SPLINE:** .250 DIAMETER VIRGIN VINYL

STANDARD FINISHES: MILL FINISH, BRONZE, WHITE, BLACK PAINT

OPTIONAL FINISHES: ANODIZED 201/204/215 R-1/ DUR ANODIC/SPECIAL PAINT COLORS

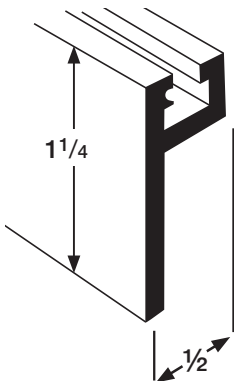
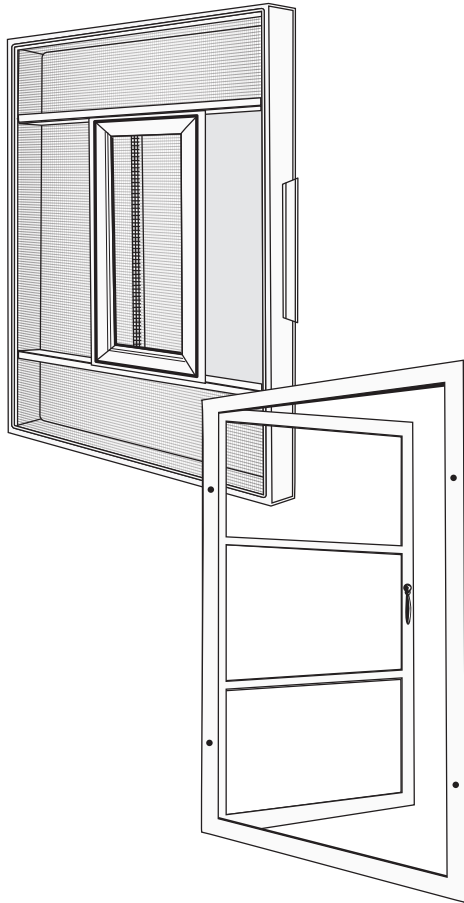
HARDWARE: Pins & Plungers Factory Installed
MOUNTING: #690 Clips & Sheet Metal Screws Standard
OPTIONAL MOUNTING: 1 1/4 "C" Clips & Sheet Metal Screws

MOUNTING DETAIL PROJECT-IN WINDOW SCREENS





STANDARD & INTERMEDIATE EXTRUDED ALUMINUM CASEMENT WICKET SCREENS



FRAME #676: DEEP 1 1/4 X 1/2 X .062 THICK 6063-T52 EXTRUDED ALUMINUM.

TRACK: 21/32" X 3/4" X .050 6063-T6 EXTRUDED ALUMINUM / ONE PIECE CONSTRUCTION.

VERTICAL MEMBERS: (WICKET OPENING) 3/4" X 3/8" X .062 THICK 6063 -T5 EXTRUDED ALUMINUM.

WICKET DOOR FRAME: 3/4" X 5/16" X .020 THICK ROLL FORMED DOORS APPROXIMATELY 8" X 12" FOR DOUBLE VENTS.

CONSTRUCTION: MAIN FRAME IS MITERED AND ASSEMBLED WITH 1 1/4 X 1 1/4 X .093" THICK ALUMINUM CORNER INSERTS STAKED INTO PLACE. TRACK AND VERTICAL MEMBERS CONNECTED IN TONGUE AND GROOVE MANNER (NO SCREWS). WHEN REQUIRED, SINGLE UNITS HAVE OFFSET APPROXIMATELY 7" LONG AT WINDOW HANDLE. WICKET DOOR FRAME MITER & ASSEMBLED WITH ALUMINUM CORNER INSERTS.

TRACK: 1/2" X 5/8" X .062 6063-T6 EXTRUDED ALUMINUM.

VERTICAL MEMBERS: (WICKET OPENING) 1/2" X 3/4" X .062 THICK 6063 -T5 EXTRUDED ALUMINUM.

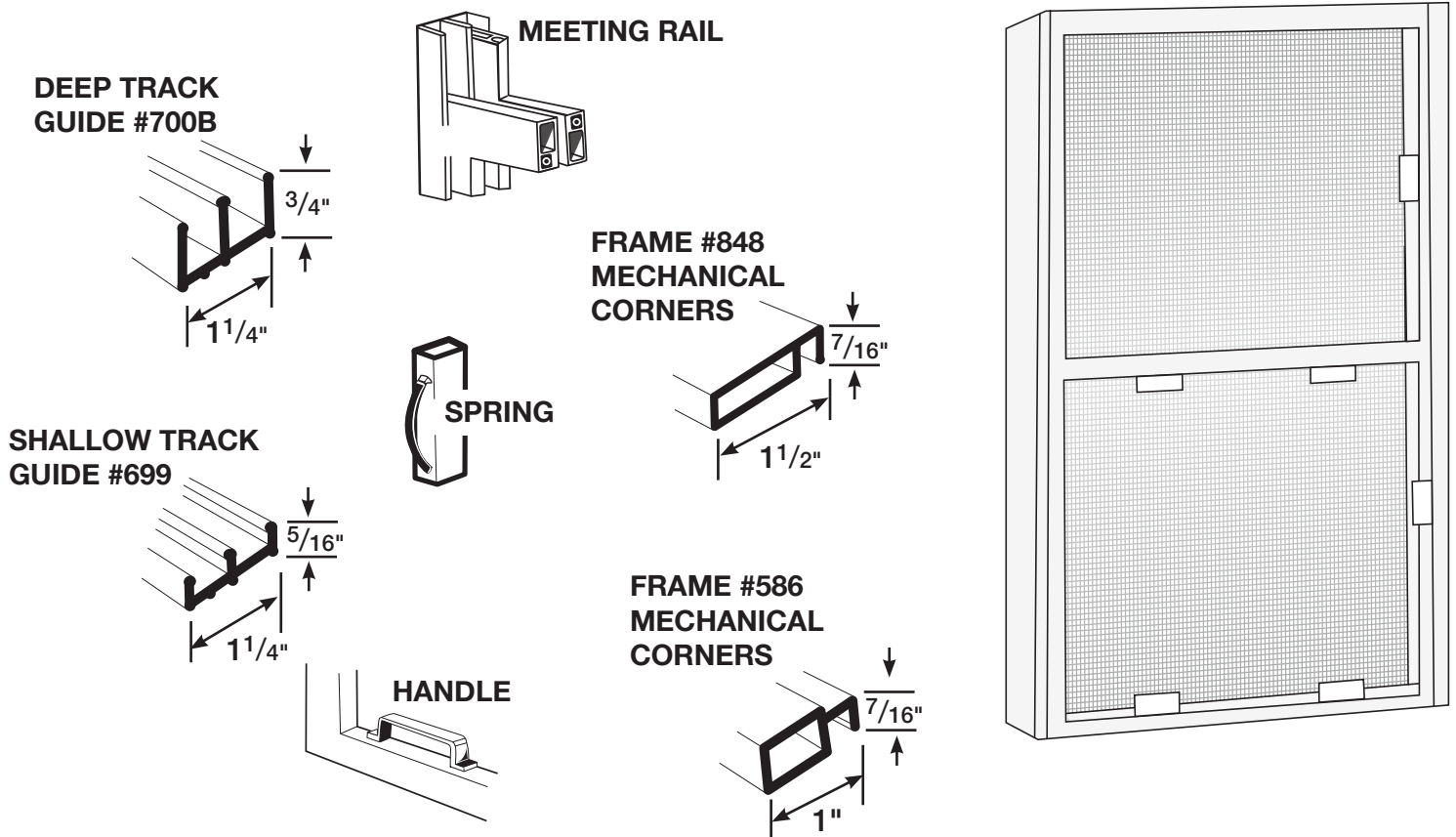
WICKET DOOR FRAME: 15/16" X 1/4" X .024 THICK ROLL FORMED ALUMINUM LOCKED AT CORNERS WITH INTERIOR ALUMINUM CORNER INSERTS. WICKET DOORS APPROXIMATELY 8" X 12" FOR SINGLE VENT UNITS AND 12" X 12" FOR DOUBLE VENT MODELS.

CONSTRUCTION: ONE PIECE FRAME JOINED AT CORNER WITH .051" LOCK SECURELY RIVETED IN PLACE WITH TUBULAR ALUMINUM RIVETS. CROSS BRACE IS DOVETAILED FORMED ON ENDS AND SECURELY RIVETED INTO MAIN FRAME. WHEN REQUIRED, SINGLE VENT SCREENS HAVE OFFSET APPROXIMATELY 7" LONG AT WINDOW HANDLE.

MOUNTING KIT: "C" Clips & Sheet Metal Screws std. / Spring Clips available
MESH: 18 x 16 .011 Aluminum • **SPLINE:** ".250 Diameter Virgin Vinyl
STANDARD FINISH: #866 MILL – #676 Mill/White/Bronze/Black

TWIN VERTICAL SLIDING SCREENS

TWIN VERTICAL OR HORIZONTAL SLIDING SCREENS ARE USED EXTENSIVELY IN INSTITUTIONAL AND COMMERCIAL BUILDING APPLICATIONS WHERE VENTILATION IS DESIRED THROUGH UPPER AND LOWER SASH. SCREENS SLIDE FREELY IN FULL HEIGHT DOUBLE CHANNEL EXTRUDED ALUMINUM GUIDES TO ALLOW WINDOW CLEANING WITHOUT SCREEN REMOVAL. NO NEED TO ERECT SCAFFOLDING AS TWIN VERTICALS CAN BE INSTALLED FROM THE INSIDE IF DESIRED.



FRAME OPTIONS: $7/16" \times 1"$, $7/16" \times 1 1/2"$.063 6063-T5 EXTRUDED ALUMINUM.

GUIDES: DOUBLE TRACK 6063-T5 EXTRUDED ALUMINUM. ONE DEEP GUIDE AND ONE SHALLOW GUIDE PERMIT EASY REMOVAL. SAME GUIDE DEPTH WITH SPECIAL SPRING ARRANGEMENT ALSO AVAILABLE. REFER TO EXTRUSION PAGES IN THE CATALOG FOR ADDITIONAL GUIDE SHAPES.

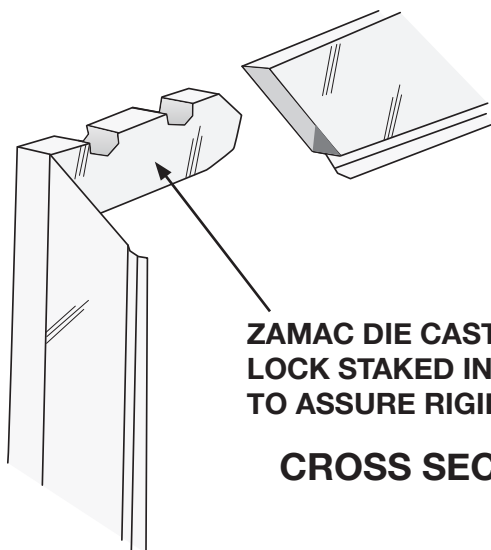
HANDLES: AVAILABLE IN ALUMINUM OR STAINLESS STEEL.

HARDWARE: IN ADDITION TO PULL HANDLES. PLATED STEEL TENSION SPRINGS AND NYLON SHOES ARE STANDARD.

SPLINE: Extruded .250 Diameter Virgin Vinyl
MESH: 18 x 16 .011 Aluminum or 18 x 18 x .009 Stainless Steel or as required
FINISHES: Mill/Anodized/or as required

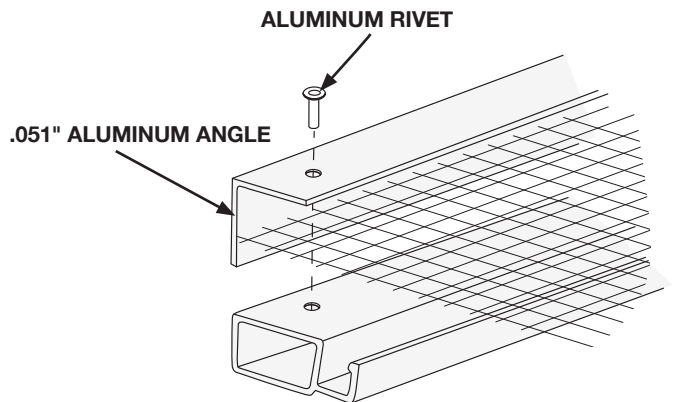
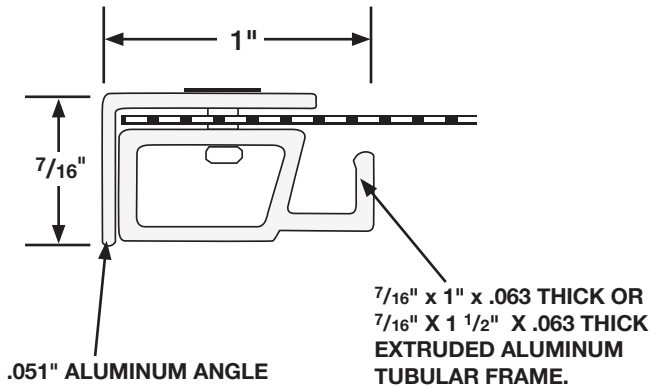


FRAME SECTIONS ARE CAREFULLY EXTRUDED WITH ROUNDED EDGES USING HEAVY GAUGE HIGH TENSILE EXTRUDED ALUMINUM. BECAUSE OF THE EXPANDABLE NATURE OF THE FRAME. A WIDE LATITUDE OF MESHES CAN BE UTILIZED. CORNERS ARE SUPPORTED BY CONCEALED ZAMAC DIE CAST CORNER LOCKS. PROVIDING MAXIMUM SUPPORT. BRACES ARE INCLUDED VERTICALLY OR HORIZONTALLY UPON YOUR SPECIFICATIONS. THE STONE GUARD WIRE MESH IS SECURED TO FRAME WITH ALUMINUM RIVETS PROVIDING MAXIMUM STRENGTH AND ARE TAMPER PROOF. SCREENS CAN BE WIRED WITH A HEAVY MESH AND INSECT MESH AT THE SAME TIME. CONSULT ENGINEERING DEPARTMENT FOR RECOMMENDATIONS.



**ZAMAC DIE CAST CORNER
LOCK STAKED IN PLACE
TO ASSURE RIGID FRAME**

CROSS SECTION

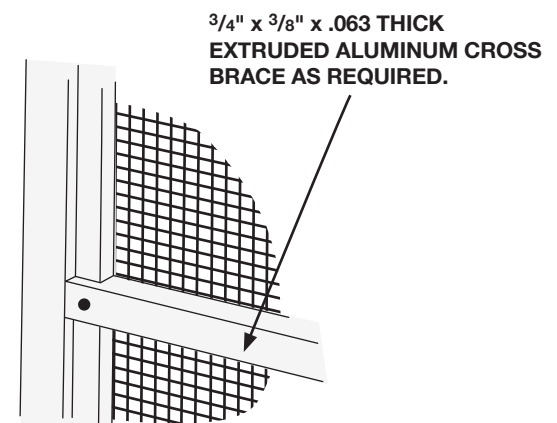


**7/16" x 1" x .063 THICK OR
7/16" X 1 1/2" X .063 THICK
EXTRUDED ALUMINUM
TUBULAR FRAME.**

ALUMINUM RIVET

.051" ALUMINUM ANGLE

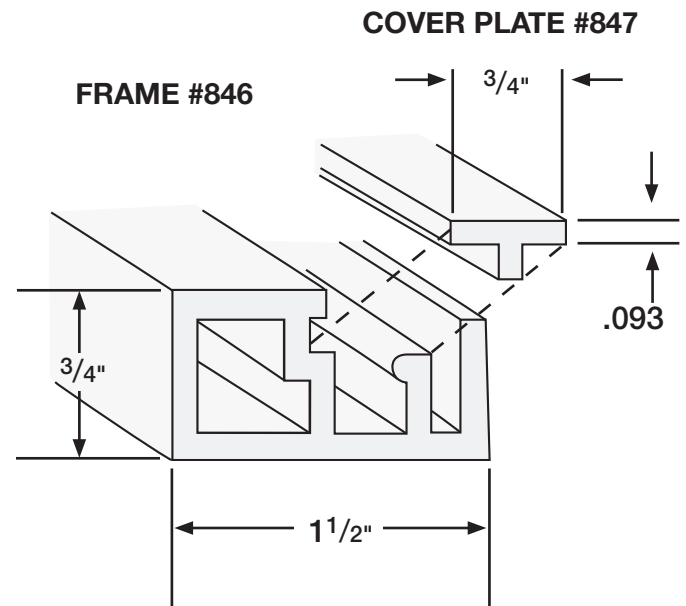
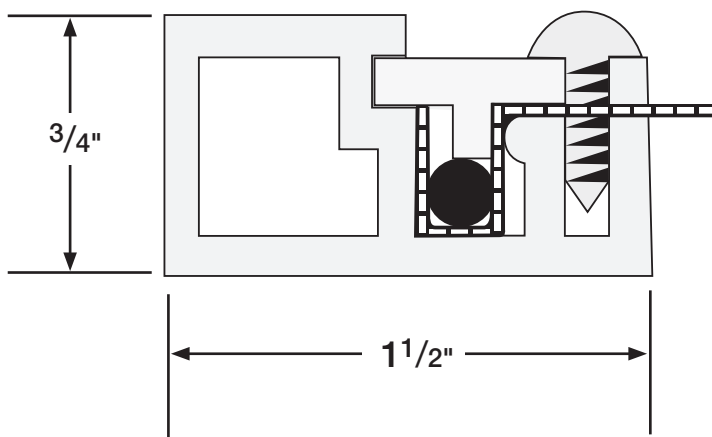
**2" X 2" HOT DIP
GALVANIZED STEEL,
19 GAUGE OR 16 GAUGE
MESH, OR EXPANDED
METAL AS REQUIRED.**



**3/4" x 3/8" x .063 THICK
EXTRUDED ALUMINUM CROSS
BRACE AS REQUIRED.**

- **PROTECTS AGAINST VANDALS**
- **ELIMINATES GLASS BREAKAGE**

FRAME #846



SPECIFICATIONS:

FRAME: 3/4" x 1 1/2" WITH .093 WALL TUBULAR SECTION EXTRUDED OF 6063-T5 ALUMINUM ALLOY.

CORNERS: CORNERS TO BE HELI-ARC WELDED AND DRESSED SMOOTH.

MESH: MESH SHALL BE STAINLESS STEEL. 16 X 16 X .018, 12 X 12 .023 OR 12 X 12 X .028 WIRE DIAMETER. A CONTINUOUS ALUMINUM COVER PLATE 3/4" X .093 SHALL BE ATTACHED TO MAIN FRAME WITH POP RIVETS TO PREVENT REMOVAL OF MESH AFTER FABRICATION.

FINISH: FRAMES TO BE MILL FINISH OR PAINTED AS SPECIFIED.

**FOR USE IN HOUSING PROJECTS, HOSPITALS,
 AND SCHOOLS WHERE RESTRAINT AND
 ELIMINATION OF GLASS BREAKAGE IS
 DESIRED THROUGH USE OF STAINLESS
 STEEL WIRE CLOTH.**

SPECIFICATIONS:

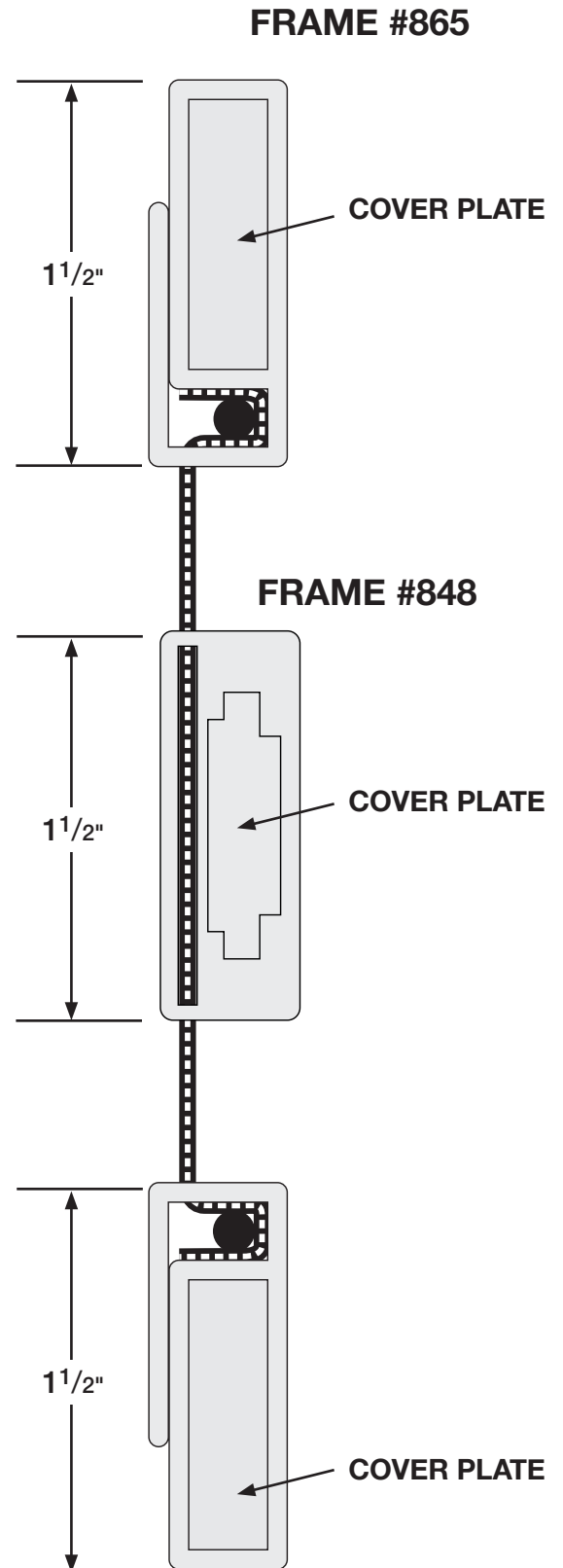
MAIN FRAME: $\frac{7}{16}$ " X 2" X .062 WALL DOUBLE TUBULAR SECTION OR $\frac{7}{16}$ " X 1 1/2" X .062 WALL TUBULAR SECTION EXTRUDED OF 6063-T5 ALUMINUM ALLOY.

WIRE CLOTH: WIRE CLOTH SHALL BE STAINLESS STEEL 16 X 16 X .018 WIRE DIAMETER OR 12 X 12 X 0.28 WIRE DIAMETER SECURED IN FRAME WITH VINYL SPLINE. AN ALUMINUM COVER PLATE 1" WIDE X .062" THICK SHALL BE POP-RIVETED TO MAIN FRAME TO COVER SPLINE GROOVE.

INSTALLATION: WINDOW GUARDS SHALL HAVE PIANO HINGES AND SURFACED BOLTS OR ATTACHED WITH TAMPER PROOF SCREWS.

FINISH: FRAMES TO BE MILL, ANODIZED DURANODIC HARDCOAT OR PAINT BACKED ON.

CORNERS: CORNERS TO BE MECHANICAL 3" X 3" SOLID ALUMINUM CORNERS OR HELI-ARC WELDED.



- PROTECTS AGAINST VANDALS
- ELIMINATES GLASS BREAKAGE

FOR USE IN HOUSING PROJECTS, HOSPITALS, AND SCHOOLS WHERE RESTRAINT AND ELIMINATION OF GLASS BREAKAGE IS REQUIRED THROUGH USE OF STAINLESS STEEL WIRE CLOTH AND PERFORATED STEEL.

SPECIFICATIONS:

MAIN FRAME: 1" x 2¹/₈" X .078 WALL DOUBLE TUBULAR SECTION AND A H-TYPE COVER WITH .062 WALLS. EXTRUDED OF 6063-T5 ALUMINUM ALLOY.

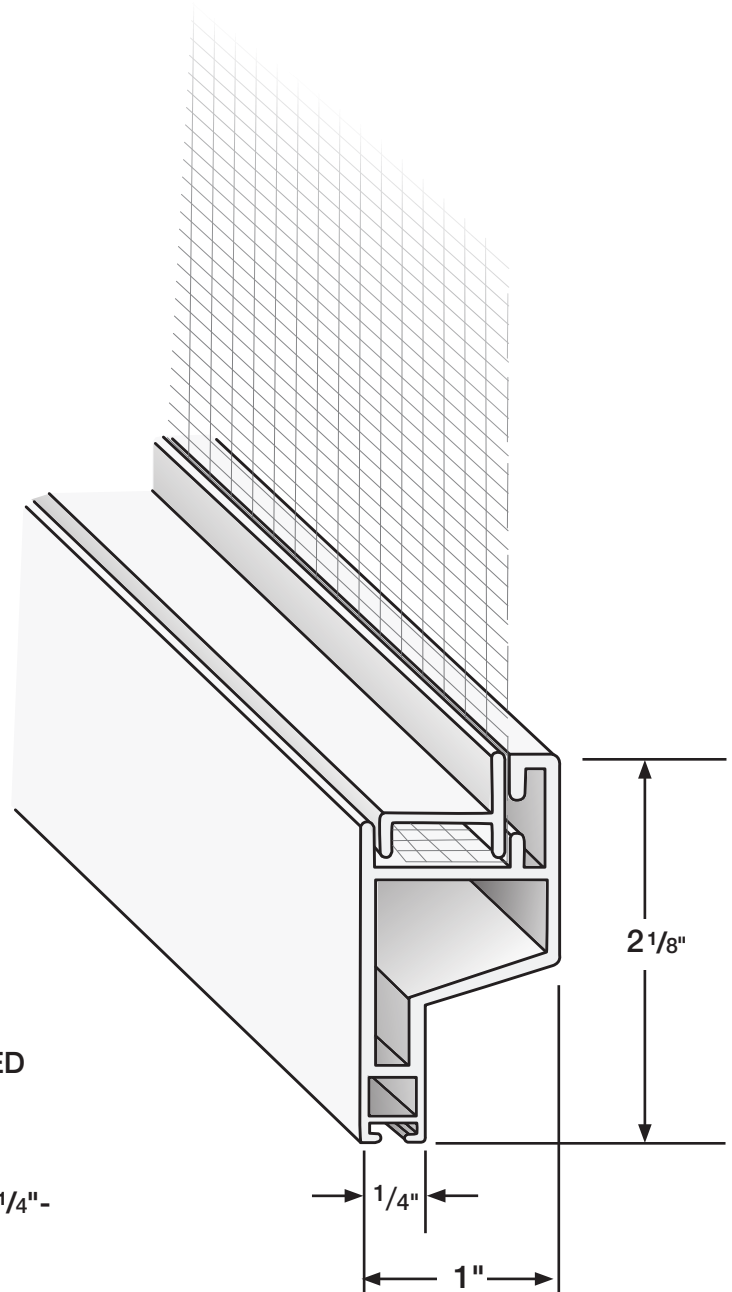
CORNERS: CORNERS TO BE MECHANICAL FASTENED WITH 2 CORNER KEYS PER CORNER, ONE FLAT AND ONE SPRING LOADED.

HARDWARE: HEAVY DUTY TENSION SPRINGS WITH 1/4"-20 X 2 SET SCREWS.

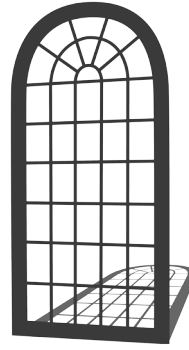
- WIRE MESH CHOICES:**
- 12 X 12 X .023 STAINLESS STEEL
 - 12 X 12 X .028 STAINLESS STEEL
 - 16 X 16 X .018 STAINLESS STEEL
 - PERFORATED STEEL AS PER SPECIFICATIONS

OPTIONAL INSTALLATION: WINDOW GUARDS SHALL HAVE PIANO HINGES AND SURFACE BOLTS OR ATTACHED WITH TAMPER PROOF SCREWS.

AVAILABLE FINISHES: MILL FINISH, QUAKER BRONZE, WHITE AND CUSTOM COLORS TO MATCH.

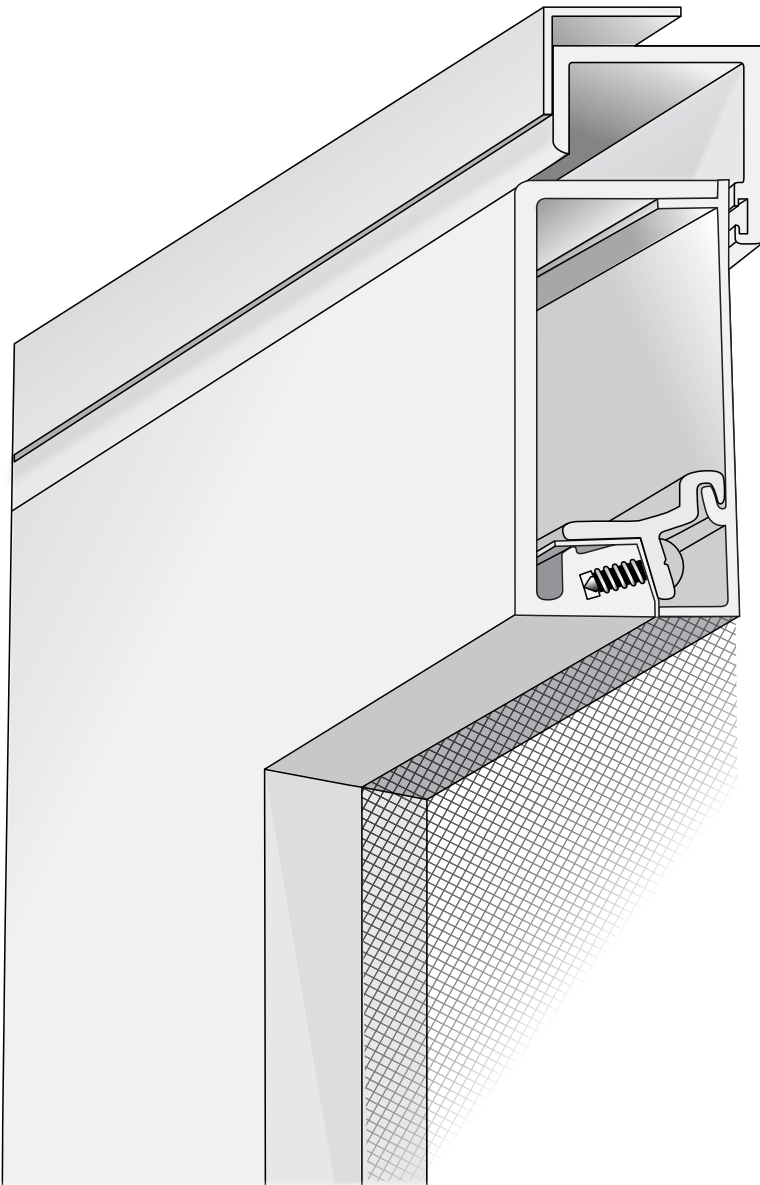


SCREENS & FABRICATED METALS



A Division of Century Bathworks Inc.

SECURITY DETENTION SCREENS



MEET ANY SECURITY SCREEN APPLICATION

PUBLIC HOUSING
COMMERCIAL BUILDINGS
PRISONS
HOSPITALS
SCHOOLS
MUSEUMS
DORMITORIES
DETENTION HOMES
LABORATORIES
UTILITIES

SECURITY SCREENS

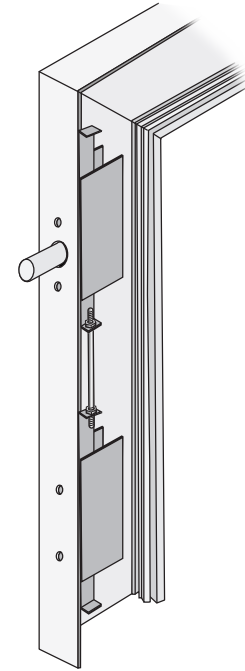
ADVANTAGES OF FABRICO SECURITY SCREENS:

- AESTHETICS
- SAFETY
- QUALITY
- EASE OF INSTALLATION

FABRICO SECURITY SCREENS ARE QUALITY BUILT, TOUGH AND ATTRACTIVE DETENTION SCREENS WHICH PREVENT UNAUTHORIZED ENTRIES OF EXITS. FABRICO DETENTION SCREENS EASILY REPEL ALL KINDS OF ATTACKS AND FRUSTRATE THE MOST PROFESSIONAL CRIMINALS. THIS HIGHLY ENGINEERED SECURITY SCREEN SYSTEM CAN MEET ANY GOVERNMENT, HOUSING, UTILITY AND INSTITUTIONAL SPECIFICATION.

FABRICO SECURITY SCREENS ARE CONSTRUCTED OF HIGH-TENSILE STAINLESS STEEL WIRE MESH WHICH IS TIGHTLY ANCHORED TO AN ALUMINUM FRAME WITH ALL HARDWARE AND FASTENERS CONCEALED WHEN THE UNIT IS IN THE COSED POSITION. A FABRICO SECURITY SCREEN WILL ADD TO THE INTEGRITY AND SECURITY OF ANY BUILDING.

BITT KEY LOCKING SYSTEM



THIS LOCKING SYSTEM IS VERY RUGGED, MADE WITH CASE HARDENED ZINC PLATED STEEL FOR STRENGTH AND CORROSION RESISTANCE, LOCK ASSEMBLY IS SPRING-LOAD, HIGH SECURITY, MULTI-TUMBLER TYPE.

IMPORTANT INFORMATION

SIZE LIMITATIONS

RECOMMENDED MAXIMUMS:

WIDTH 67 INCHES

HEIGHT 120 INCHES

AREA 40 SQUARE FEET

FOR LARGER OPENING, USE MULTIPLE UNITS. CONSULT FACTORY FOR RECOMMENDATIONS.

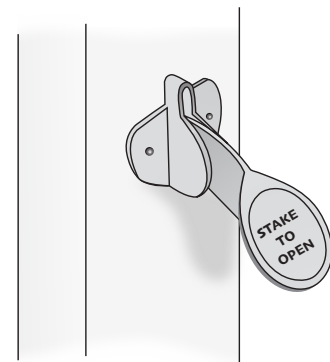
GLASS CLEARANCE

3 INCHES CLEARANCE BETWEEN WIRE MESH AND WINDOW GLASS IS REQUIRED.

SPECIAL WIRE MESH

FOR EXTREME CONDITIONS, SPECIAL HEAVY DUTY WIRE MESH IS AVAILABLE FOR EITHER EXTERIOR OR INTERIOR APPLICATIONS.

EMERGENCY RELEASE



EMERGENCY RELEASE MECHANISM IS A STRIKE PLATE MOUNTED TO INSIDE OF SWING FRAME AND IS EASILY ACCESSED FOR QUICK EMERGENCY EXITS.

SECURITY SCREENS SPECIFICATIONS:

QUALITY: THE SECURITY SCREENS SHOWN ON THE PLANS AND HERE SPECIFIED ARE THE PRODUCTS OF FABRICO, WOODLAND PARK NJ AND SHALL MEET ALL ESTABLISHED STANDARDS OF CONSTRUCTION AND QUALITY OF WORKMANSHIP REQUIRED BY THIS INDUSTRY.

PRODUCT: FULL ALUMINUM SECURITY/ DETENTION SWING SCREEN SYSTEM.

SWING FRAME: CUSTOM EXTRUDED CHANNEL DESIGN FROM 6063-T A;ALUMINUM ALLOY. CHANNEL WALL THICKNESS IS .125 WITH A WEIGHT OF 0.941 POUNDS PER FOOT. ALL CORNERS ARE WELDED AND GROUND SMOOTH. A COVER PLATE EXTRUDED FROM 6063-T5 ALLOY IS SCREWED TO THE SWING FRAME ON 6" CENTER AND AS A DOUBLE INTERLOCKED COVER PLATE WITH A WALL THICKNESS OF .062 ALLOWS NO FASTENERS TO BE EXPOSED WHEN THE SCREEN IS IN THE CLOSED POSITION.

SUB FRAME: CUSTOM EXTRUDED CHANNEL DESIGN FROM, 6063-T5 ALUMINUM ALLOY. STANDARD SUB-FRAME CHANNEL WALL THICKNESS IS .125 WITH A WEIGH OF 0.557 POINTS PER FOOT. ALL CORNERS ARE WELDED AND GROUND SMOOTH. A CONTINUOUS VINYL STRIP IS PROVIDED TO MAKE SCREEN INSECT TIGHT.

WIRE MESH ATTACHMENT: WIRE MESH IS FOLDED 90 DEGREES AROUND THE EDGE F THE SWING FRAME AND HELD SECURELY IN PLACE BY MEANS OF RETAINER CLIPS WHICH ARE EXTRUDED FROM 6063-T5 ALUMINUM ALLOY. RETAINER CLIPS ARE 6" LONG AND ARE DESIGNED TO INTERLOCK WITH REMOVABLE COVER PLATE AND ARE PLACED ON APPROXIMATELY 10" CENTERS.

WIRE MESH: STAINLESS STEEL WIRE MESH IS A 12 X 12 MESH PER INCH WITH .028 DIAMETER HIGH TENSILE STRENGTH TYPE 302/304 (18/8) WIRE STAINLESS STEEL WIRE SHALL TEST NOT LESS THEM 800 LBS PER LINEAL INCH AFTER WEAVING. THE WIRE SHALL HAVE DOUBLE CRIMP CROSSINGS WITH MINIMUM CRIMP RATION OF 45%.

LOCK AND SLIDE BOLTS: UNITE HAS A CONCEALED ZINC PLATED STEEL BITT KEY LOCK ASSEMBLY WHICH ACTUATES 2 OR 3 CASE HARDENED SLIDE BOLTS. THE SLIDE BOLTS ARE OPERATED SIMULTANEOUSLY FROM ON KEY STATION WITH A SPECIAL BITT KEY.

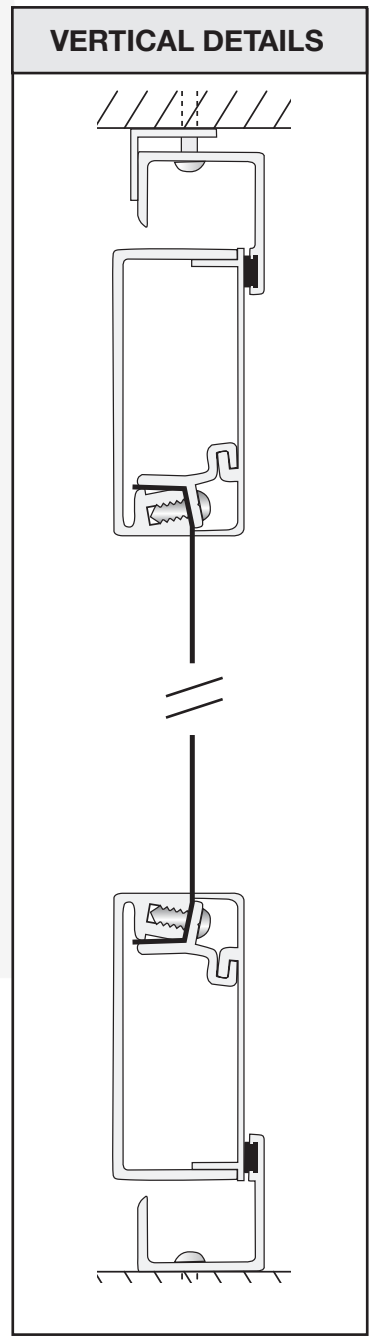
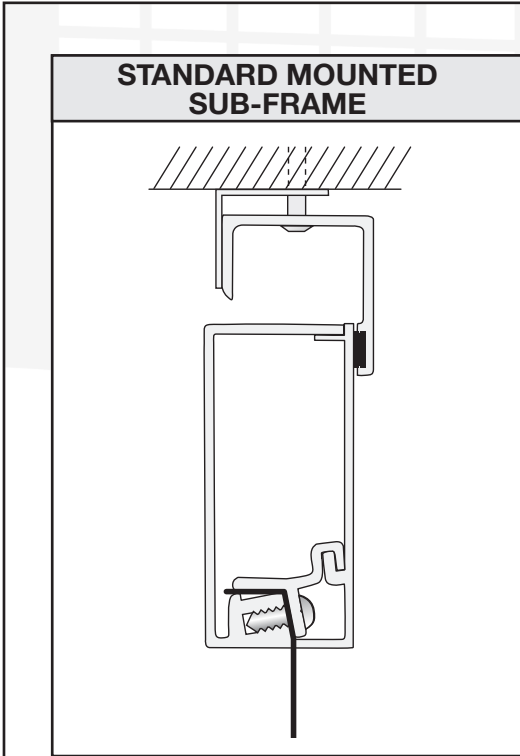
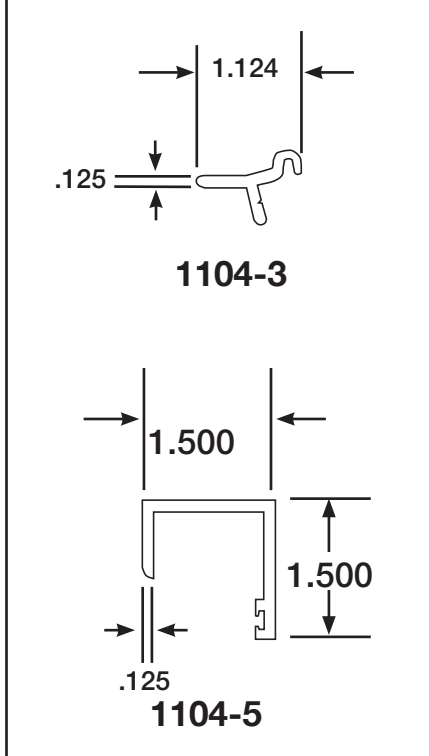
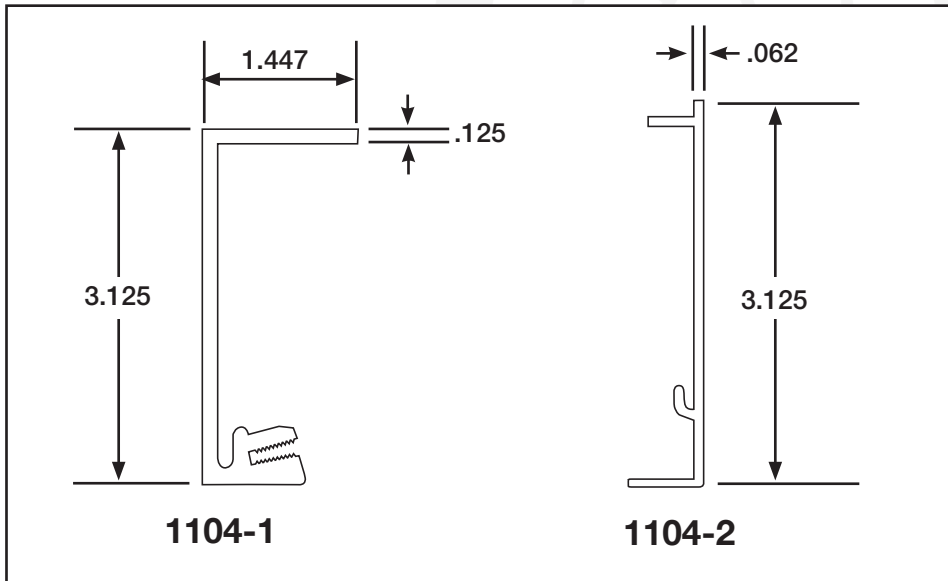
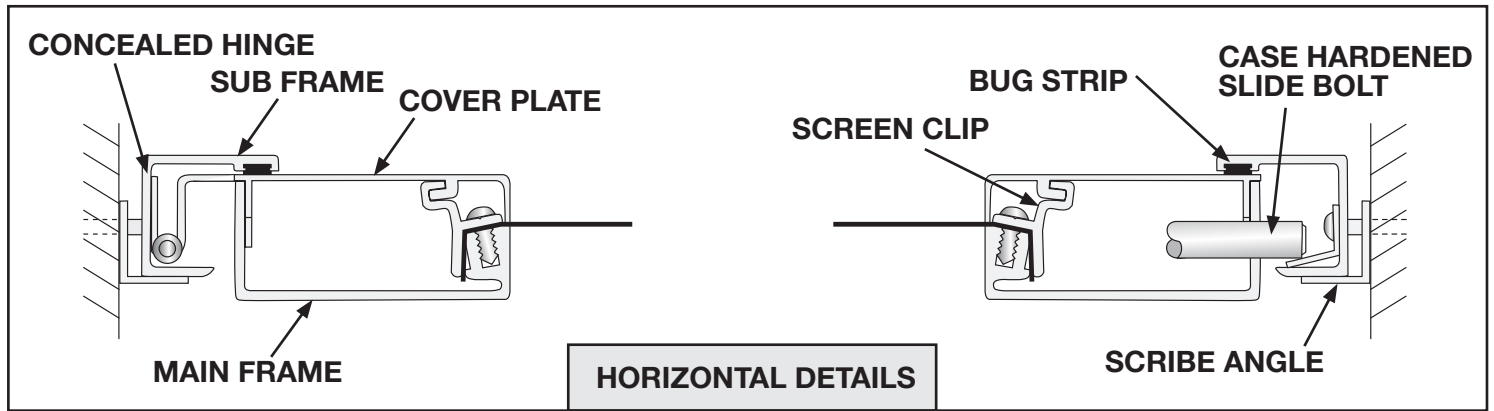
EMERGENCY RELEASE: OPTIONAL ZINC PLATED STEEL PUNCH PAS RELEASE FOR INTERIOR OF SCREEN OPERATES SLIDE BOLTS SIMULTANEOUSLY FOR EXIT.

HINGES: UNIT HAS 2 OR MORE CONCEALED ZINC PLATED STEEL HINGES WITH HARD BRASS LOOSE PINS.

SCRIBE ANGLES: ALUMINUM EXTRUDED 1" X 1" ANGEL .062 THICK ARE SUPPLIED AT HEAD AND JAMS WHERE REQUIRED.

FINISH: ALL EXPOSED SURFACES, INTERIOR AND EXTERIOR OF SUB-FRAMES, MAIN FRAMES AND CONCEALMENT COVERS SHALL BE CLEANED AND GIVEN SATIN FINISH PRODUCING A UNIFORM SURFACE. OPTIONAL TWO STEP ANODIZE OR ENAMEL PAINT AVAILABLE

SECURITY SCREENS SPECIALIZED INSTALLATIONS:



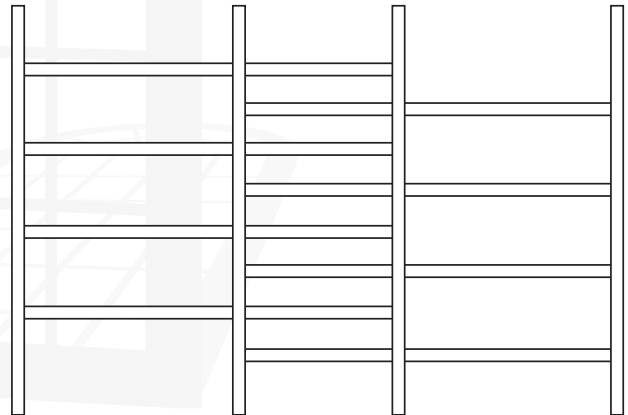
CHILD GUARD

HEAVY DUTY EXTRUDED ALUMINUM CHILD PROTECTION WINDOW GUARD

COMPLY WITH STATE LOCAL REGULATIONS BY INSTALLING THE FINEST CHILD PROTECTION WINDOW GUARD AVAILABLE FABRICO CHILD GUARD IS FABRICATED FROM TOUGH 6063-T6 ALLOY EXTRUSIONS WITH A BACKED ACRYLIC ENAMEL FINISH AND SUPERIOR DESIGN AND CONSTRUCTION ASSURES SAFETY AND RELIABILITY. WE OFFER A LARGE SELECTION OF STANDARD SIZES FOR DOUBLE HUNG WINDOW APPLICATIONS. SPECIAL SIZES FOR DOUBLE HUNG WINDOWS AS WELL AS DESIGNS FOR SLIDING WINDOWS AND VERTICAL PIVOTING WINDOWS ARE AVAILABLE. CONTACTING OUR ENGINEERING DEPARTMENT FOR MORE INFORMATION.

SPECIFICATIONS:

1. WINDOW GUARD SHALL BE FABRICATED FROM ALUMINUM 6063-T6 ALLOY EXTRUSIONS, BAKED FINISH WITH MINIMUM WALL THICKNESS OF 0.062 INCHES. VERTICAL STILES ARE OF AN 'I' SHAPED DESIGN TO HIDE FASTENERS AND POSITIVELY LOCK RAILS. RAILS ARE OF TUBULAR DESIGN FOR EXTRA STRENGTH IN ALL DIRECTIONS. WINDOW GUARD TO BE FABRICATED TO HAVE TWO IDENTICAL INTERLOCKING LEAFS WHICH SLIDE HORIZONTALLY IN RELATIONSHIP TO ONE ANOTHER TO ADJUST VARIOUS WINDOWS WIDTHS. EACH LEAF IS MAKE UP OF TWO VERTICAL FILES OF A STANDARD LENGTH WHICH VARIES BY FIVE INCH INCREMENTS TO PROPERLY PROTECT GUARDED WINDOW OPENINGS. EACH STILE HAS A MINIMUM OF FOUR HOLES FOR ATTACHMENT AND ENDS ARE GROUND SMOOTH AS TO FREE SHARP CORNER'S .EACH LEAF HAS A MINIMUM OF FOUR RAILS OR AS MANY RAILS AS ARE REQUIRED.
2. THE COMPLETED WINDOW GUARD SHALL HAVE VERTICAL STYLES NO MORE THAN 1'-8" ON CENTER. HORIZONTAL RAILS ARE PLACED ACCORDING TO LOCAL CODE (TYPICALLY 4" OR 4 ½ ON CENTER TO REJECT PASSAGE OF A SOLID SPHERE (TYPICALLY 4" OR 5") THROUGH ANY PORTION OF THE GUARDED OPENING.
3. ALL ASSEMBLY AND INSTALLATION FASTENERS TO BE STAINLESS STEEL. ALL EXPOSED FASTENERS TO BE TAMPER PROOF TYPE.
4. FINISH OPTIONS TO BE BRONZE PAINT AND WHITE PAINT.



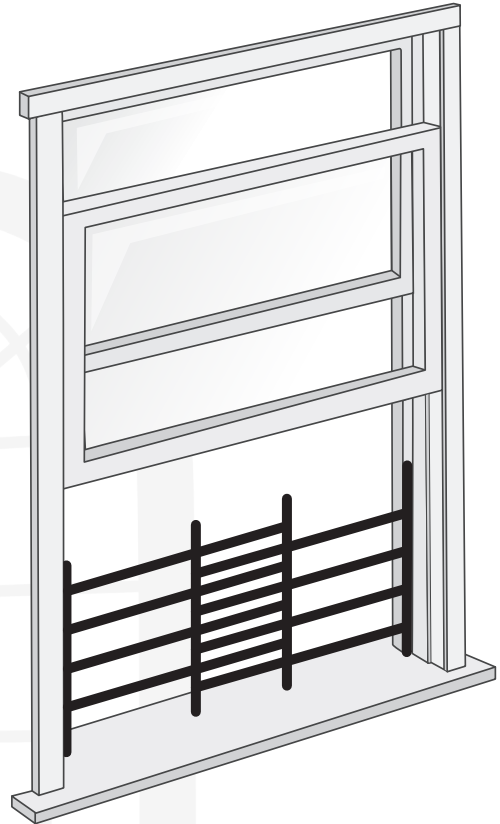
FOR INSTALLATION INSTRUCTIONS & STANDARD SIZE LIST SEE NEXT PAGE

CHILD GUARD

HEAVY DUTY EXTRUDED ALUMINUM CHILD PROTECTION WINDOW GUARD

INSTALLATION INSTRUCTIONS

1. **WARNING: DO NOT INSTALL CHILD GUARD ON FIRE ESCAPE OR EMERGENCY EXIT WINDOWS**
2. INSPECT WINDOW TRACKS FOR INTEGRITY. DO NOT INSTALL CHILD GUARD ON LOOSE OR ROTTING TRACKS.
3. TEMPORARY PLACE CHILD GUARD IN A LEVEL POSITION SO THAT UPPER HALF OF BOTTOM RAIL DOES NOT EXCEED CODE OPENING (TYPICALLY 4" TO 4 ½") FROM WINDOW SILL. MARK THE LOCATION OF THE TIP HOLES IN STILES. REMOVE CHILD GUARD AND DRILL 5/32" DIAMETER PILOT HOLES.
4. REPLACE CHILD GUARD INTO POSITION AND INSTALL TAMPER PROOF SCREWS PROVIDE. DRILL REMAINING HOLDS REQUIRED AND INSTALL SCREWS.
5. RAISE THE INSIDE WINDOW TO A POSITION NOT MORE THAN CODE OPENING. (TYPICALLY 4" TO 4 ½") ABOVE THE LOWER HALF OF THE TIP RAIL. PLACE A STOP ON THE TOP SASH , MARK THE HOLD POSITION (RIGHT SIDE) ON THE WINDOW FRAME. REPEAT ON THE LEFT SIDE. DRILL PILOT HOLES IN BOTH PLACES.
6. SECURE THE STOPS WITH TAMPER PROOF SCREWS PROVIDED.
7. LOWER THE INNER SASH AND MEASURE ALL OPENINGS TO INSURE CODE COMPLIANCE.



STANDARD SIZES

PART#	BARS	HEIGHT	CLOSED	OPEN
152850	3	15"	28"	30"
202850	4	20"	28"	50"
252850	5	25"	28"	50"
302850	6	30"	28"	50"
152238	3	15"	22"	38"
202238	4	20"	22"	38"
252238	5	25"	22"	38"
302238	6	30"	22"	38"
151626	3	15"	16"	26"
201626	4	20"	16"	26"
251626	5	25"	16"	26"
301626	6	30"	16"	26"
152242	3	15"	22"	42"
202242	4	20"	22"	42"
252242	5	25"	22"	42"
302242	6	30"	22"	42"

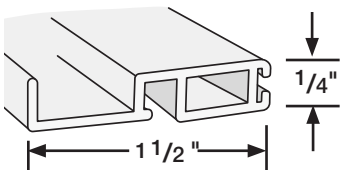
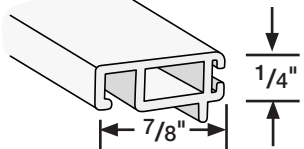
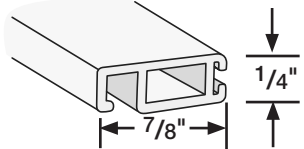
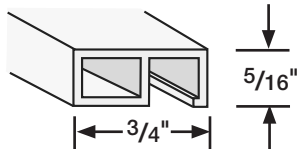
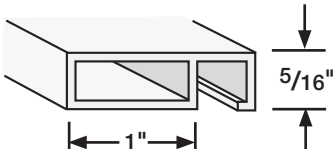
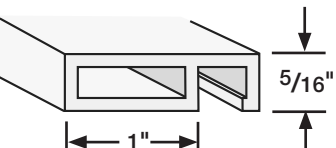
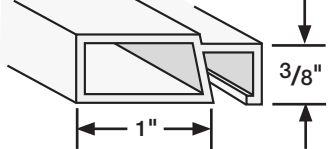
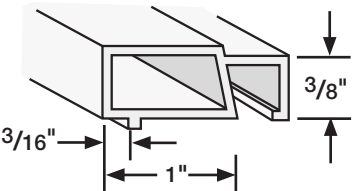
THE ABOVE INSTRUCTIONS ARE FOR DOUBLE HUNG WINDOW INSTALLATION ONLY

ALUMINUM SCREEN FRAMES / ROLL FORMED

FRAME		SPLINE	CORNER INSERTS
#250 1/4" X 3/4" X .020		.165 VINYL	#252 ALUMINUM STAMPED
#645 5/16" X 3/4" X .020		.165 VINYL	#646 ALUMINUM STAMPED
#383 3/8" X 3/4" X .020		.165 VINYL	#384 ALUMINUM STAMPED
#359 7/16" X 3/4" X .020		.165 VINYL	#359 ALUMINUM STAMPED
#385 3/8" X 1 1/16" X .028		.165 VINYL	#388 ALUMINUM STAMPED
#386 3/8" X 1 1/16" X .020		.165 VINYL	#390 ALUMINUM STAMPED
#1003 1" X 1" X .032		.175 VINYL	#1005 ALUMINUM STAMPED

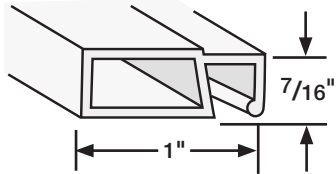
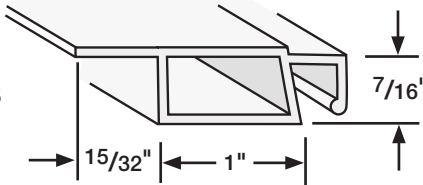
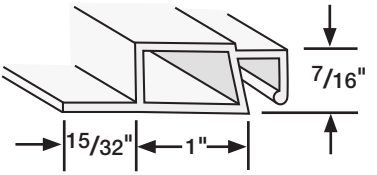
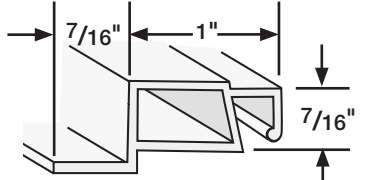
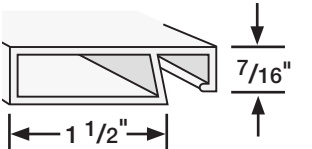
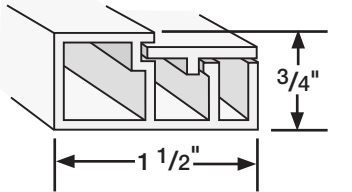
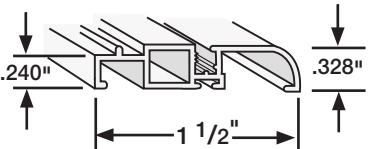
**MESH: ALL ROLL FORMED FRAMES AVAILABLE WITH FIBERGLASS & ALUMINUM MESH
FINISHES: BRONZE PAINT, WHITE PAINT, MILL FINISH & CLEAR ANODIZE**

ALUMINUM SCREEN FRAMES / EXTRUDED

FRAME		SPLINE	CORNER INSERTS
#300 1/4" X 1 1/2" X .050		.235 VINYL OR ROLL FORMED ALUMINUM	SOLID ALUMINUM STAKED IN PLACE
#300 STOP 1/4" X 7/8" X .050		.235 VINYL OR ROLL FORMED ALUMINUM	SOLID ALUMINUM STAKED IN PLACE
#300 PLAIN 1/4" X 7/8" X .050		.235 VINYL OR ROLL FORMED ALUMINUM	SOLID ALUMINUM STAKED IN PLACE
#746 5/16" X 3/4" X .050		.235 VINYL OR ROLL FORMED ALUMINUM	#747 3/16" THICK STAMPED ALUMINUM STAKED IN PLACE
#874 5/16" X 1" X .050		.235 VINYL OR ROLL FORMED ALUMINUM	#3034 CAST ZAMAC PRESSURE FIT
#855 5/16" X 1" X .075		.235 VINYL OR ROLL FORMED ALUMINUM	#856 2 1/4" X 2 1/4" X 1/8" THICK SOLID ALUMINUM STAKED IN PLACE
#861 3/8" X 1" X .063		.235 VINYL OR ROLL FORMED ALUMINUM	#862 3/16" THICK SOLID ALUMINUM STAKED IN PLACE
#883 3/8" X 1" X .063		.235 VINYL OR ROLL FORMED ALUMINUM	#862 3/16" SOLID ALUMINUM STAMPED ALUMINUM STAKED IN PLACE

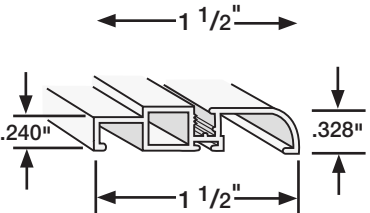
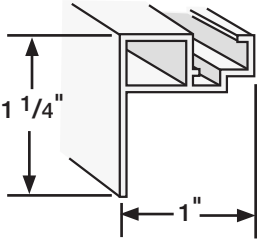
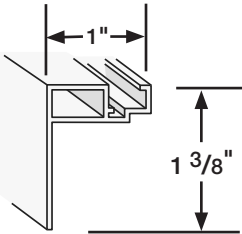
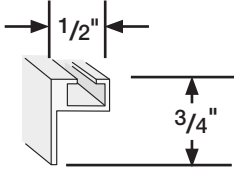
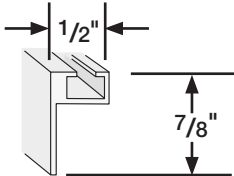
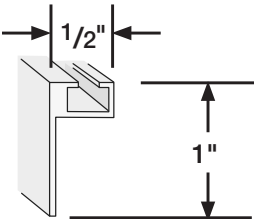
**MESH: ALL EXTRUDED FRAMES AVAILABLE WITH FIBERGLASS, ALUMINUM, BRONZE & STAINLESS STEEL
FINISHES: BRONZE PAINT, WHITE PAINT, MILL FINISH & CLEAR ANODIZE & BRONZE ANODIZE**

ALUMINUM SCREEN FRAMES / EXTRUDED

FRAME		SPLINE	CORNER INSERTS
#586 7/16" X 1" X .063		.235 VINYL OR ROLL FORMED ALUMINUM	#715 CAST ZAMAC PRESSURE FIT
#858 7/16" X 1" X .063		.235 VINYL OR ROLL FORMED ALUMINUM	#715 CAST ZAMAC PRESSURE FIT
#880 7/16" X 1" X .063		.235 VINYL OR ROLL FORMED ALUMINUM	#715 CAST ZAMAC PRESSURE FIT
#884 7/16" X 1" X .063		.235 VINYL OR ROLL FORMED ALUMINUM	#715 CAST ZAMAC PRESSURE FIT
#848 7/16" X 1 1/2" X .063		.235 VINYL OR ROLL FORMED ALUMINUM	3" X 3" X 9/32" THICK SOLID ALUMINUM STAKED IN PLACE OR HELI-ARC WELDED AND DRESSED SMOOTH
#846 3/4" X 1 1/2" X .093		.325 VINYL WITH INTERLOCKING OPTIONAL #847 COVER PLATE RIVETED OR SCREWED THRU WIRE CLOTH ON APPROX. 8" CENTERS	HELI-ARC WELDED AND DRESSED SMOOTH
#900 .240 X 1.500 X 0.50		.165 VINYL	#902 SPRING LOCK CORNER

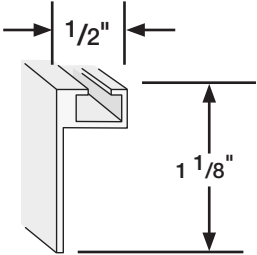
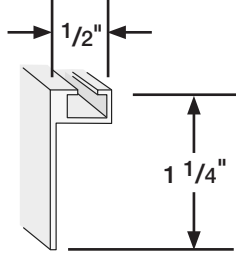
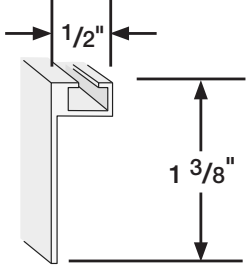
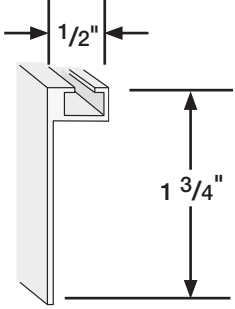
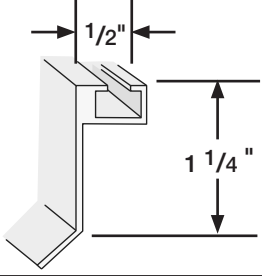
MESH: ALL EXTRUDED FRAMES AVAILABLE WITH FIBERGLASS, ALUMINUM, BRONZE & STAINLESS STEEL
FINISHES: BRONZE PAINT, WHITE PAINT, MILL FINISH & CLEAR ANODIZE & BRONZE ANODIZE

ALUMINUM SCREEN FRAMES / EXTRUDED

FRAME	SPLINE	CORNER INSERTS
<p>#901 .240 X 1.500 X 0.50</p> 	<p>.165 VINYL</p>	<p>#902 SPRING LOCK CORNER</p>
<p>#726 - 1 1/4" 1" X 1 1/4" X 0.63</p> 	<p>.235 VINYL OR ROLL FORMED ALUMINUM</p>	<p>#715 CAST ZAMAC PRESSURE FIT</p>
<p>#726 - 1 3/8" 1" x 1 3/8" X .063</p> 	<p>.235 VINYL OR ROLL FORMED ALUMINUM</p>	<p>#715 CAST ZAMAC PRESSURE FIT</p>
<p>#676 - 3/4" 1/2" x 3/4" X .062</p> 	<p>.235 VINYL OR ROLL FORMED ALUMINUM</p>	<p>FRAMES TO BE BENT AROUND AT CORNERS AND JOINED WITH .051 ALUMINUM CORNER ANGLE RIVETED IN PLACE</p>
<p>#676 - 7/8" 1/2" x 7/8" X .062</p> 	<p>.235 VINYL OR ROLL FORMED ALUMINUM</p>	<p>FRAMES TO BE BENT AROUND AT CORNERS AND JOINED WITH .051 ALUMINUM CORNER ANGLE RIVETED IN PLACE</p>
<p>#676 - 1" 1/2" x 1" X .062</p> 	<p>.235 VINYL OR ROLL FORMED ALUMINUM</p>	<p>FRAMES TO BE BENT AROUND AT CORNERS AND JOINED WITH .051 ALUMINUM CORNER ANGLE RIVETED IN PLACE</p>

MESH: ALL EXTRUDED FRAMES AVAILABLE WITH FIBERGLASS, ALUMINUM, BRONZE & STAINLESS STEEL
FINISHES: BRONZE PAINT, WHITE PAINT, MILL FINISH & CLEAR ANODIZE & BRONZE ANODIZE

ALUMINUM SCREEN FRAMES / EXTRUDED

FRAME	SPLINE	CORNER INSERTS
<p>#676 -1 1/8" 1/2" X 1 1/8" X .062</p> 	<p>.235 VINYL OR ROLL FORMED ALUMINUM</p>	<p>FRAMES TO BE BENT AROUND AT CORNERS AND JOINED WITH .051 ALUMINUM CORNER ANGLE RIVETED IN PLACE</p>
<p>#676 -1 1/4" 1/2" X 1 1/4" X .062</p> 	<p>.235 VINYL OR ROLL FORMED ALUMINUM</p>	<p>FRAMES TO BE BENT AROUND AT CORNERS AND JOINED WITH .051 ALUMINUM CORNER ANGLE RIVETED IN PLACE</p>
<p>#676 -1 3/8" 1/2" X 1 3/8" X .062</p> 	<p>.235 VINYL OR ROLL FORMED ALUMINUM</p>	<p>FRAMES TO BE BENT AROUND AT CORNERS AND JOINED WITH .051 ALUMINUM CORNER ANGLE RIVETED IN PLACE</p>
<p>#676 -1 3/4" 1/2" X 1 3/4" X .062</p> 	<p>.235 VINYL OR ROLL FORMED ALUMINUM</p>	<p>FRAMES TO BE BENT AROUND AT CORNERS AND JOINED WITH .051 ALUMINUM CORNER ANGLE RIVETED IN PLACE</p>
<p>#719 1/2" X 1 1/4" X .062</p> 	<p>.235 VINYL OR ROLL FORMED ALUMINUM</p>	<p>FRAMES TO BE BENT AROUND AT CORNERS AND JOINED WITH .051 ALUMINUM CORNER ANGLE RIVETED IN PLACE</p>

**MESH: ALL EXTRUDED FRAMES AVAILABLE WITH FIBERGLASS, ALUMINUM, BRONZE & STAINLESS STEEL
FINISHES: BRONZE PAINT, WHITE PAINT, MILL FINISH & CLEAR ANODIZE & BRONZE ANODIZE**

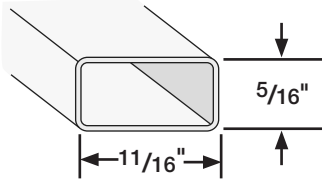
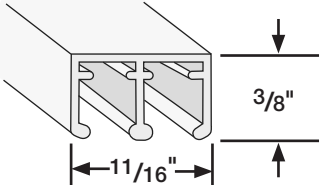
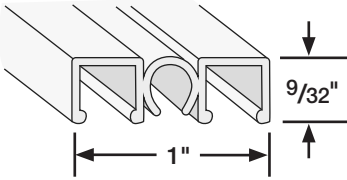
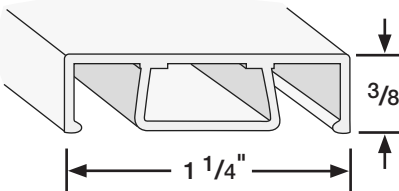
EXTRUDED ALUMINUM TRACK GUIDES

#844		SINGLE DEEP TRACK
#676		SINGLE SHALLOW TRACK
#700B		DOUBLE DEEP TRACK
#699		DOUBLE SHALLOW TRACK
#841		DOUBLE DEEP TRACK
#840		DOUBLE SHALLOW TRACK

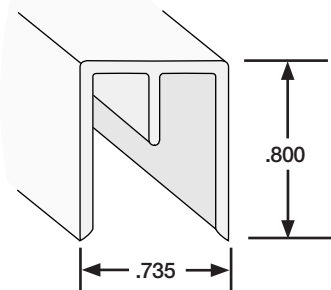
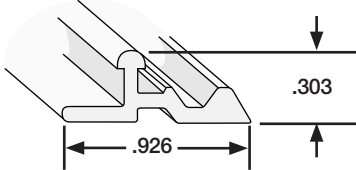
**ALL TRACKS ARE .062 THICK 6063-T6 EXTRUDED ALUMINUM
ALL TRACKS ARE DESIGNED FOR USE WITH 7/16" THICK FRAMES**

FINISHES: BRONZE PAINT, WHITE PAINT, MILL FINISH & CLEAR ANODIZE

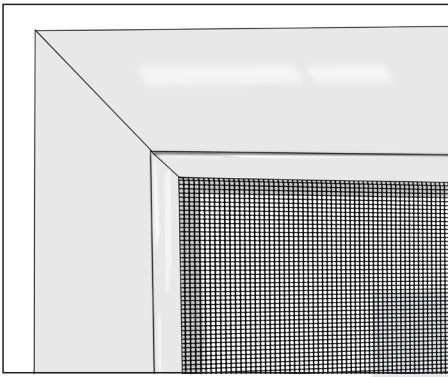
CROSS BRACES

<p>#362 5/16" X 11/16" X .020</p>		<p>MECHANICALLY ATTACHED IN PLACE</p>
<p>#588 3/8" X 11/16" X .062</p>		<p>MECHANICALLY ATTACHED OR WELDED IN PLACE</p>
<p>#877 9/32" X 1" X .050</p>		<p>MECHANICALLY ATTACHED OR WELDED IN PLACE</p>
<p>#865 3/8" X 1 1/4" X .063</p>		<p>MECHANICALLY ATTACHED OR WELDED IN PLACE</p>

PATIO DOOR TRACK GUIDES

<p>#897 TOP PATIO DOOR TRACK</p>	
<p>#898 BOTTOM PATIO DOOR TRACK</p>	

FINISHES: BRONZE PAINT, WHITE PAINT, MILL FINISH & CLEAR ANODIZE



EXTRUDED ALUMINUM STORM DOORS

ALL ALUMINUM CONTRUCTION

FULL VIEW OR WITH SINGLE OR MULTIPLE INSULATED KICKPANELS

MAIN FRAME 1 1/4" x 3" x .070 THICK

EXTRUDED ALUMINUM SCREEN FRAME 7/16" x 1" X .063

EXTRUDED ALUMINUM GLASS FRAME 3/8" x 7/8" x .050

1/8" TEMPERED SAFETY GLASS

DIE CAST CORNERS FOR SCREEN AND GLASS FRAME, PLATED STEEL FOR MAIN FRAME

ALL Z BARS AND EXPANDERS .062 WALL THICKNESS

POLYCARBONATE GLASS / SCREEN CLIPS

OPERATING HARDWARE AND CLOSERS TO BE HIGH QUALITY IDEAL MANUFACTURING.

AVAILABLE IN STOCK SIZES AND CUSTOM SIZES UP TO 47" X 100"

TYPICAL SIZES 20", 30", 32" AND 36" X 80"



ALUMINUM FRAMELESS BI-FOLD MIRROR DOORS

POLISHED EDGES ON LONGS ONLY.
FINISHES AVAILABLE. CHROME AND BRIGHT GOLD

MODEL NUMBER	SIZE
A2080	24" X 80 1/2"
A2580	30" X 80 1/2"
A3080	36" X 80 1/2"
A4080	48" X 80 1/2"
A5080	60" X 80 1/2"
A6080	72" X 80 1/2"
2096	24" X 96"
2596	30" X 96"
3096	36" X 96"
4096	48" X 96"
5096	60" X 96"
6096	72" X 96"

FRAMELESS BOTTOM ROLLER MIRROR GLIDE DOORS

FINISHES: CHROME AND BRIGHT GOLD

MODEL NUMBER	SIZE
A2080	24" X 80 1/2"
A2580	30" X 80 1/2"
A3080	36" X 80 1/2"
A4080	48" X 80 1/2"
A5080	60" X 80 1/2"
A6080	72" X 80 1/2"
2096	24" X 96"
2596	30" X 96"
3096	36" X 96"
4096	48" X 96"
5096	60" X 96"
6096	72" X 96"

**WE WILL CUT TO ANY SIZE OPENING. HEIGHTS ARE LIMITED
TO 96" ON BIFOLDS AND SLIDING DOORS**

INSIDE HORIZONTAL SLIDING STORM WINDOWS.

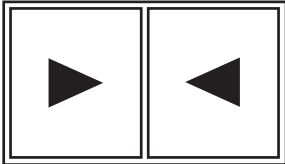
ALL ALUMINUM CONSTRUCTION.

SUPPLIED WITH F CHANNELS TOP AND TWO SIDES.

SUPPLIED WITH CLEAR AND LOW E GLASS. ANNEALED AND TEMPERED.

WINDOWS MOUNT TO JAMBS.


WORKS GREAT FOR WINTERIZATION AND FOR PORCH ENCLOSURES



	WIDTH	HEIGHT	UI
MIN	24"	13"	
MAX	72"	72"	132"

INSIDE 2-LITE SLIDER 1½" THICK

HIGH TECH BOX STYLE 2-TRACK ALUMINUM EXTRUSION, MECHANICALLY FASTENED MAIN FRAME AND SASHES FOR DEPENDABLE PERFORMANCE. FIN BARRIER WEATHERSTRIPPING ON ALL SASHES FOR THERMAL EFFICIENCY. INTERLOCKING CENTER MEETING RAIL TWO SLIDING GLASS LIFT OUT FOR EASY CLEANING OR REPAIR.



	WIDTH	HEIGHT	UI
MIN	36"	13"	
MAX	112"	72"	174"

INSIDE 3-LITE SLIDER ¼" - ½" - ¼"

TWO SLIDING GLASS AND ONE CENTER STATIONARY SASH. ALL SASHES LIFT OUT FOR EASY CLEANING OR REPAIR.

**SCREENS ARE
AVAILABLE FROM
A-586 7/16" X 1" X .063**

