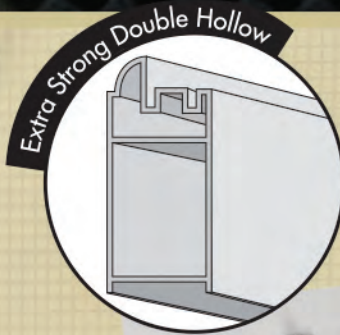


Century 1 1/4" Storm Doors

A Division of Century Bathworks Inc.



**Quality and Experience
for over 45 years!**



CVH-400



CHH-401



Back View



Front View



CCV-100

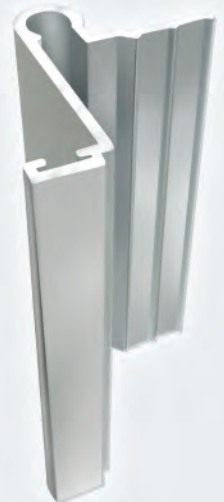


CFV-200



CHI-300

1 1/4" Z-Bar



Your Choice for the Construction and Glazing Industry

Contact our Team for
Quote on your Next Project!

Screens & Fabricated Metals
250 Lackawanna Ave, Woodland Park, NJ 07424

Tel: (973) 785-1414
Fax: (973) 785-0378
Email: screens@centurysd.com
www.windowsscreens.com

Door Handles & Deadbolt Lock Styles

1 1/4" Door Styles

CENTURY Pull Handles

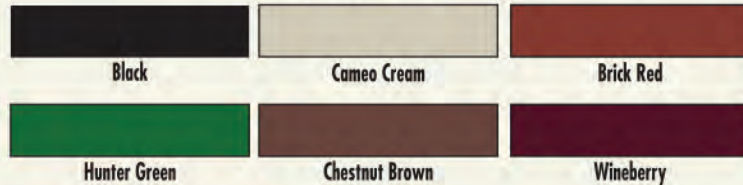


Deadbolts
Available in
4 Finishes

COLOR OPTIONS



CUSTOM COLORS



CENTURY Simulated Mortise Hardware with built in Deadbolts



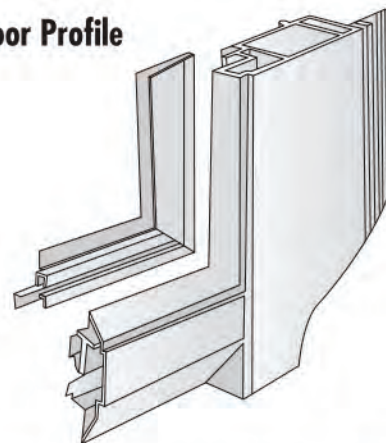
GIVE YOUR HOME THE BEAUTY, ENERGY EFFICIENCY AND VALUE OF HIGH TECHNOLOGY

- Our thickest door at 1 1/4" thick x 3" wide, the tempered aluminum angular styled Master Frame has reinforced extruded aluminum corners for extra rigidity and strength.
- Five (5) double brass bushing hinges for easy operation with a distinctive weather stripped bottom expander.
- Included is your choice of hardware and Speed release® hydraulic closer for finger tip control.
- 3 Handle styles in several finishes are available, all with a hydraulic closer matching the hardware finish.
- Interchangeable weatherstripped overlap style safety glass and screen inserts are standard!

CENTURY Lever Handles with Deadbolts



CENTURY Storm Door Profile



Extra strong double hollow tempered aluminum extrusions are at the heart of the main frames on all CENTURY storm doors. Extruded aluminum hollow glass and screen inserts offering an extra tight weatherstripped seal no matter the season. Clear Lexan clips hold each insert securely in place and complement the door no matter the color.

IN-SWING Hardware (Black)

